

This zoom lens is designed for use with Panasonic's applicable projectors.

*Please use the lens only on the specified Panasonic projector.

Specifications

F value	1.84 ~ 2.24
Focal distance (f)	12.31 mm ~ 15.43 mm (31/64 ~ 39/64 inches)
Throw ratio	0.550~0.690:1 for PT-MZ16KL/MZ13KL/MZ10KL (16:10 aspect ratio) 0.550~0.690:1 for PT-MZ16KL/MZ13KL/MZ10KL (16:9 aspect ratio) 0.660~0.830:1 for PT-MZ16KL/MZ13KL/MZ10KL (4:3 aspect ratio)
Dimensions (W × H × D)	179 × 175 × 284 mm (7-1/16 × 6-7/8 × 11-3/16 inches)
Weight	Approximately 5.2 kg (11.46 lbs)
Applicable projector	PT-MZ16KL/MZ13KL/MZ10KL

Dimensions

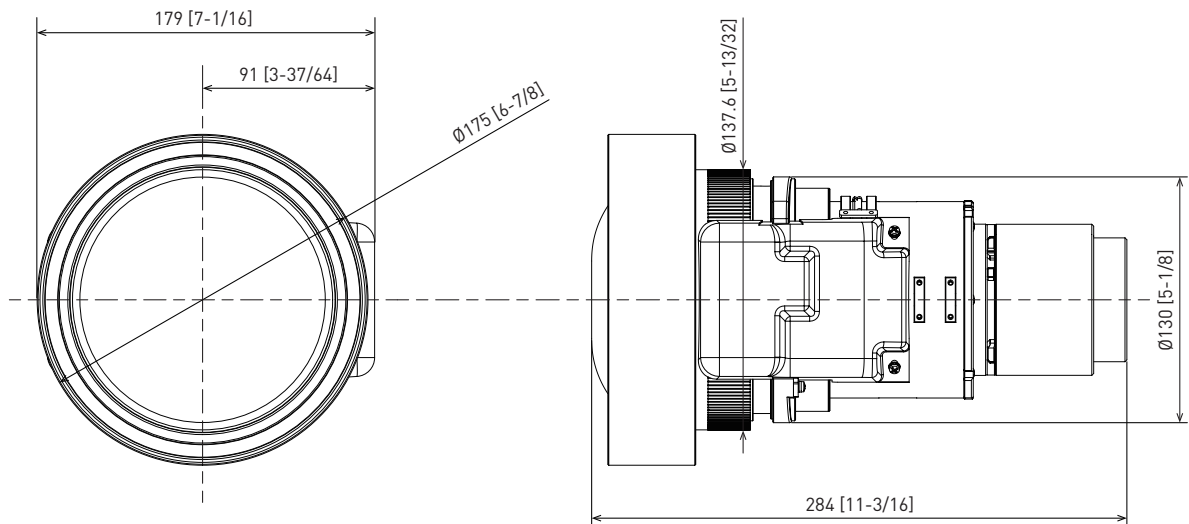
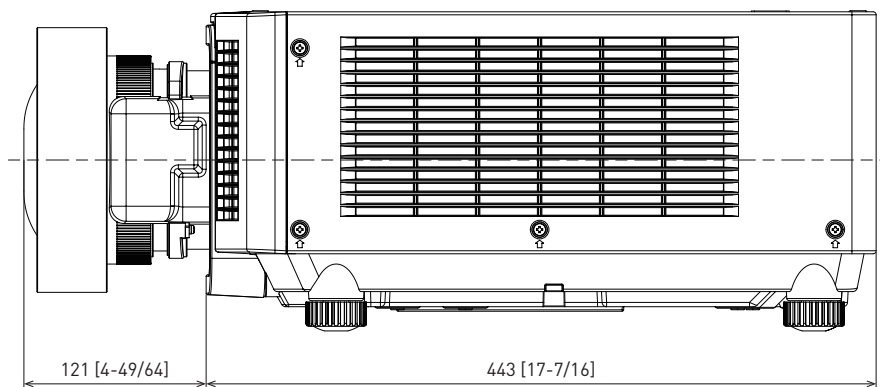


Figure attached to the [PT-MZ16KL/MZ13KL/MZ10KL] projector



unit : mm [inch]

This illustration is not drawn to scale.
Please read the projector's instruction manual for throw distances.
Weights and dimensions shown are approximate. Specifications subject to change without notice.