

## Ceiling mount bracket for high ceilings

### Description

This ceiling mount bracket is to be used when mounting projectors to high ceilings.

**NOTE:** This ceiling mount bracket cannot be used by itself. Combine it with the optional bracket assembly.

### Specifications

Vertical correction angle:	+5°, -17°
Horizontal slant correction angle:	±5°
Horizontal turn correction angle:	±5°
Dimensions (W × H × D):	370 × 331-411 × 286 mm (14-9/16 × 13-1/32-16-3/16 × 11-1/4 inches)
Weight:	7.5 kg* (16.5 lbs)*
Applicable bracket assembly:	ET-PKD130B/PKD120B/PKE300B/ET-PKD310

\* Average value. May differ depending on models.

Weights and dimensions shown are approximate. Specifications and appearance are subject to change without notice.

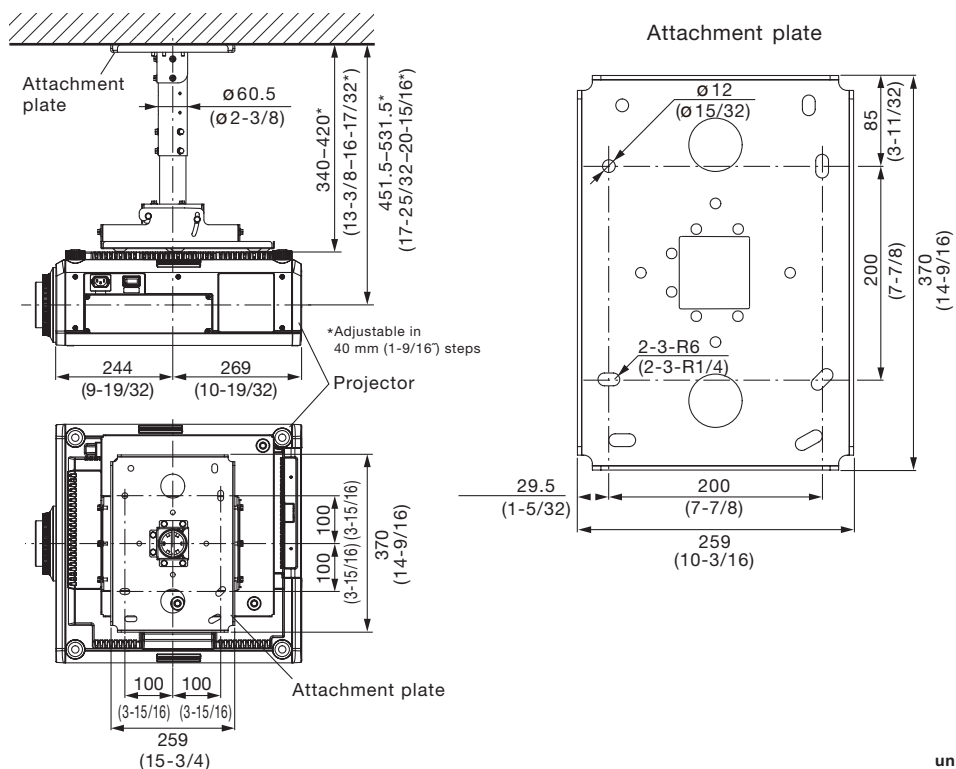
<b>Parts</b>	Attachment plate	..... 1	Pole fixer	..... 1
	Adjuster pole 1	..... 1	Washer-fitted hexagonal bolts (M6 × 80)	..... 2
	Adjuster pole 2	..... 1	Washer-fitted bolts (M6 × 16)	..... 30
	Angle adjuster	..... 1	Plain washers	..... 2
	Pole support bracket 1	..... 1	Hexagonal nuts (M6)	..... 2
	Pole support bracket 2	..... 1		

### Caution:

- Mounting should be done by a qualified technician.
- Make sure that the mounting (ceiling) area has sufficient strength.
- Read the enclosed mounting instructions thoroughly before starting.
- Do not use an electric screwdriver or impact driver to tighten screws. (Use a torque driver or similar tool.)
- When the product is no longer going to be used, have it disposed of quickly by a professional disposal service.

### Dimensions

Illustration shows the bracket (ET-PKD130B) attached to PT-DZ870/DZ870L/DW830/DW830L/DX100/DX100L.



unit : mm (inch)

NOTE: This illustration is not drawn to scale.

Ceiling mount bracket for high ceilings

Dimensions

Illustration shows the bracket (ET-PKE300B) attached to PT-EZ770Z/EZ770ZL/EW730Z/EW730ZL/EX800Z/EX800ZL and PT-EZ580/EZ580L/EW640/EW640L/EX610/EX610L/EW540/EW540L/EX510/EX510L.

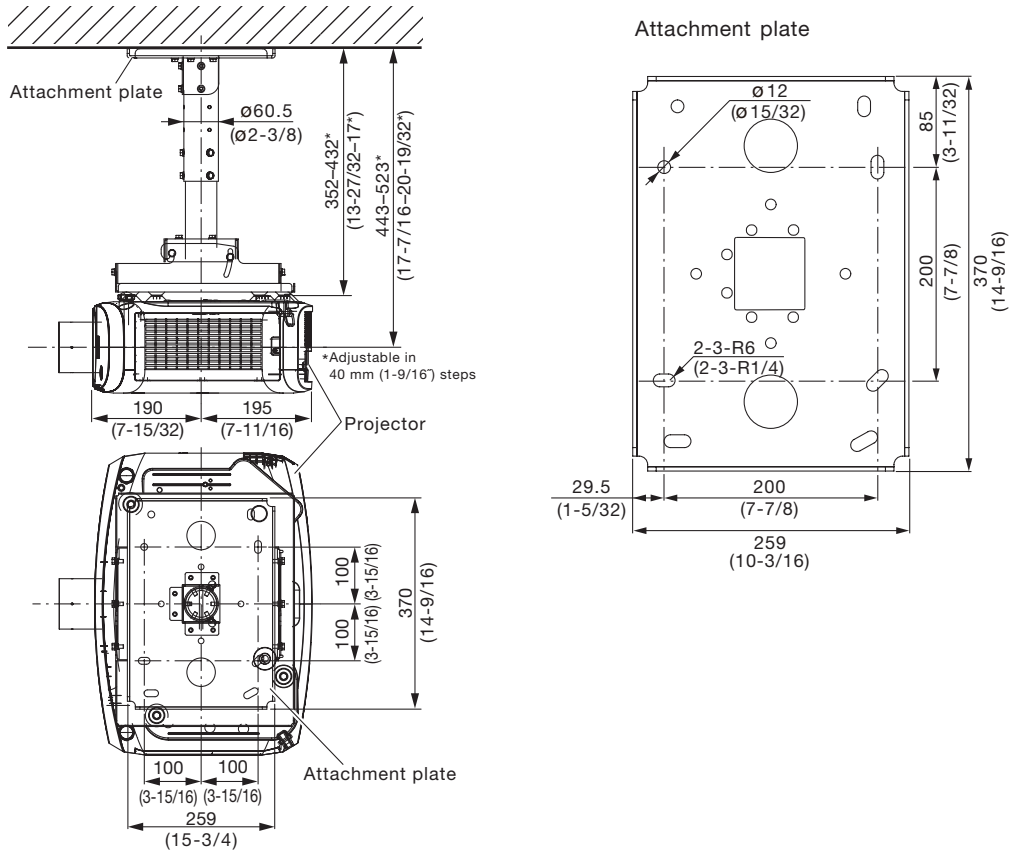
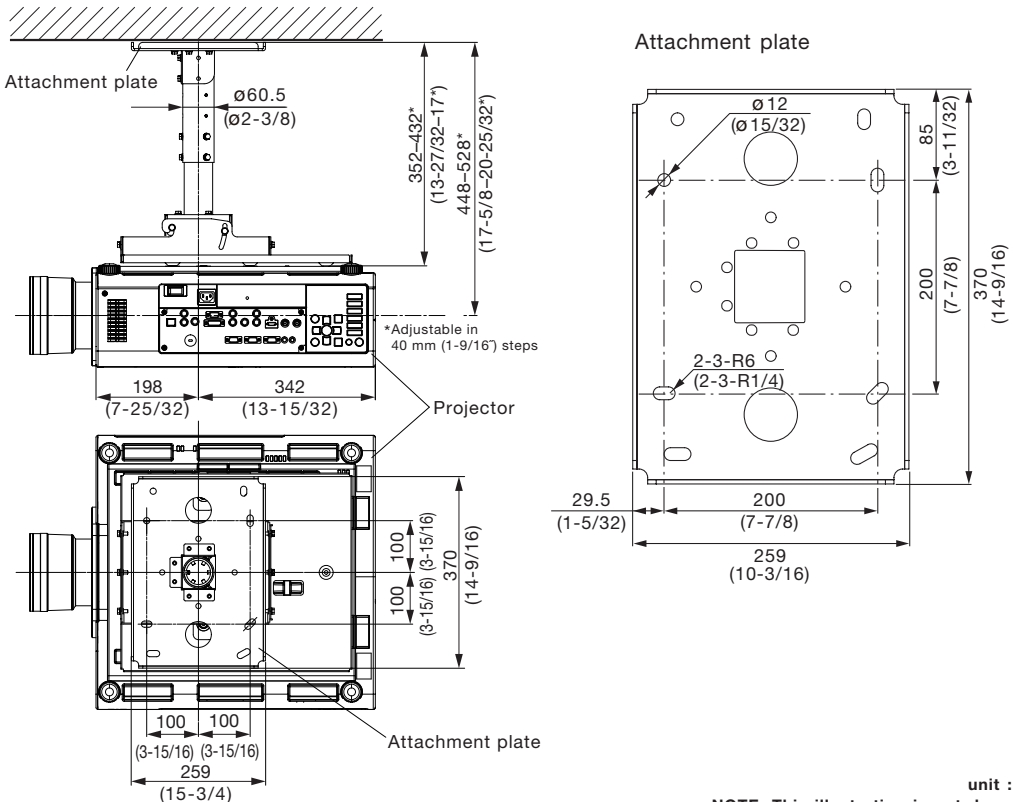


Illustration shows the bracket (ET-PKD310) attached to DZ13K/DS12K/DW11K/DZ10K



unit : mm (inch)  
NOTE: This illustration is not drawn to scale.