

Going beyond
screens & monitors.



DYNAMIC PROJECTION
INSTITUTE



#TheMH14 - Mirror Head 14

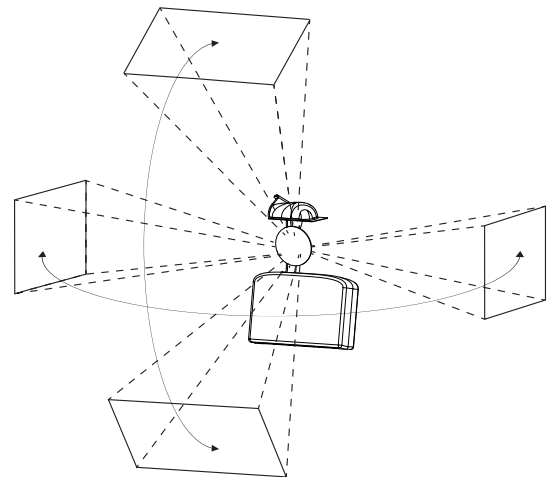
Panasonic PT-DZ21K2 / RZ21K / RQ13K / RZ12K Series

Item Number: MH14

The Mirror Head is a modern high-tech mirror that is digitally operated and is used as an add-on feature for projectors. It can be set to move either rapidly or slowly to project pictures, videos and texts onto any imaginable surface.

Through its high level of performance, the entire system guarantees highly accurate positioning. It is important to note that the Mirror Head is also extendable to almost every projector and is a quality product made in Austria.

Static projection belongs to the past. The journey into a new visual experience begins here. Our technology paves the way to unprecedented possibilities in lighting, projection and interior design.





Specifications Mirror Head 14 with Panasonic PT-DZ21K / K2 Series

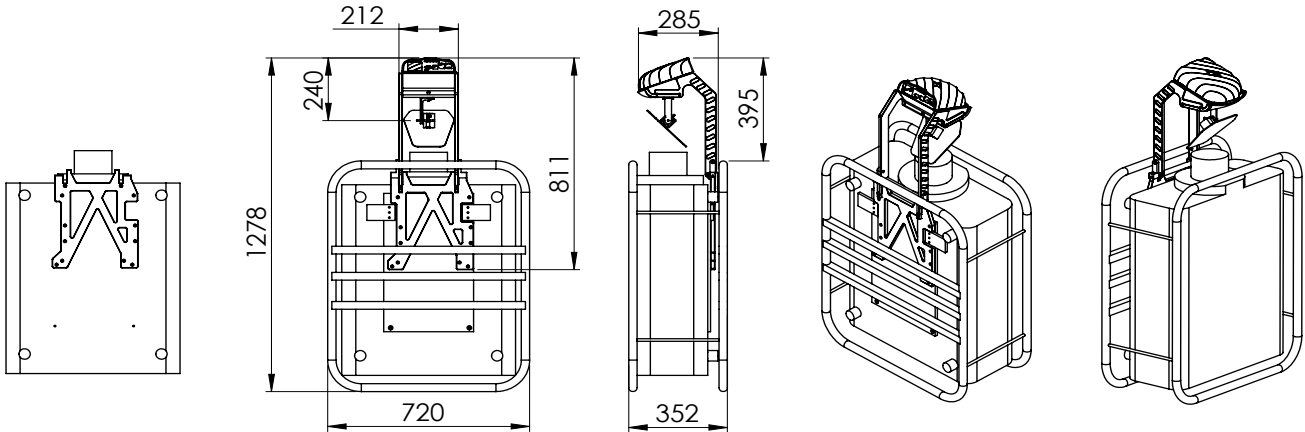


Figure with base plate, with out frame.

Figure with Lang AG ET-RFD21 frame.

MECHANICAL SPECIFICATIONS WITH PT-DZ21K / K2

Fixture dimensions (W/D/H):	720mm x 352mm x 1278mm
Fixture total with Lang AG Frame:	73,0kg
Projector PT-DZ21K + Lens:	48,0kg
Mirror Head 14 only:	4,3kg
Base Plate MH14:	2,3kg
Projector Frame Lang AG ET-RFD21:	18,5kg

ELECTRICAL SPECIFICATIONS

Input Power:	100-240V / 2-1A / 50-60Hz, Max. 10A (3-prong C14 male socket)
--------------	--

 Caution! There are no user serviceable parts (fuse) inside this unit.

PROJECTOR COMPATIBILITY

Panasonic 3-Chip DLP projectors
PT-DZ21K / DS20K / DW17K
PT-DZ21K2 / DS20K2 / DW17K2 / DZ16K2
PT-RZ21K / RS20K
PT-RZ12K / RS11K
PT-RQ13K

#TheMH14 is optimized for professional show integrators and is ideal for rental and touring! While you are on the road, use #TheMH14 with quick, secure and easy snap-in mounting for stack frames. It should also be noted that the Mirror Head is usable without a stack frame.

Due to optical reasons we do not recommend the use of the Short Throw Lens ET-D75LE06, ET-D75LE50, ET-D75LE90.

IMPORTANT NOTE: For information about the specifications, operations and use of the projector please read the instruction manual of the projector. <http://business.panasonic.co.uk/visual-system/Large-Venue-Projector/PT-DZ21K2>

OPERATION SPECIFICATIONS / FEATURES

- DMX-512 control over 14 DMX channels.
- DMX IN / OUT port (5-pin male and female XLR connectors).
- Art-Net™ connection (RJ45) (Art-Net™ designed by and Copyright Artistic Licence Holdings Ltd.).
- Mirror Tilt mode: 90° / Mirror Pan mode: 180°
- High resolution micro step motors with maintenance free direct drive.
- Self calibrating mirror position for high accuracy.
- Absolut reposition accuracy <0,03°.
- Movement accuracy: Pan and Tilt from the same direction to the programmed point within approximately 0,01°.
- RS232 remote control connection for projector (D-sub 9 male).
- Flashable firmware (Mini USB).
- High resolution LED-Display for easy configuration.
- LED-Display backlight auto turn off for energy saving.
- LED-Display Flip / Flop mode for easy reading in difficult positions.
- Coated mirror for optimum reflection ~98% refraction factor.
- Optimized mirror geometry for the specific projector.
- Anodized light metal construction.
- Quick, secure and easy snap-in mounting.
- Passive cooled system (excluding projector).
- Environmental tolerances: Ambient operating temperature range: 0°–45°C, Humidity: 20%–80% (non-condensing).
- Package includes: RS232 cable, Power cord, Hex key 2mm and 5mm, Loctite 243 glue, Quick installation guide.



To protect the environment,
please try to recycle the packing
material as much as possible.

