

Zoom Lens

This zoom lens is designed for use with Panasonic's applicable projectors.

*Please use the lens only on the specified Panasonic projector.

Specifications

F value	1.82 ~ 2.53
Focal distance (f)	46.00 mm ~ 90.50 mm (1-13/16 ~ 3-9/16 inches)
Throw ratio	2.10~4.14:1 for PT-MZ16KL/MZ13KL/MZ10KL (16:10 aspect ratio) 2.10~4.15:1 for PT-MZ16KL/MZ13KL/MZ10KL (16:9 aspect ratio) 2.50~4.97:1 for PT-MZ16KL/MZ13KL/MZ10KL (4:3 aspect ratio)
Dimensions (W × H × D)	173 × 130 × 327 mm (6-13/16 × 5-1/8 × 12-7/8 inches)
Weight	Approximately 4.55 kg (10.03 lbs)
Applicable projector	PT-MZ16KL/MZ13KL/MZ10KL

Dimensions

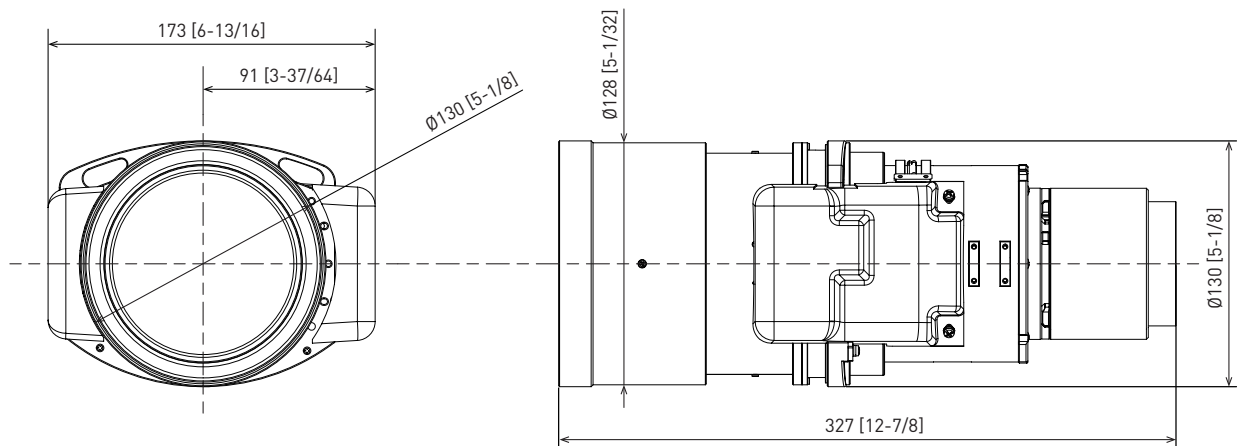
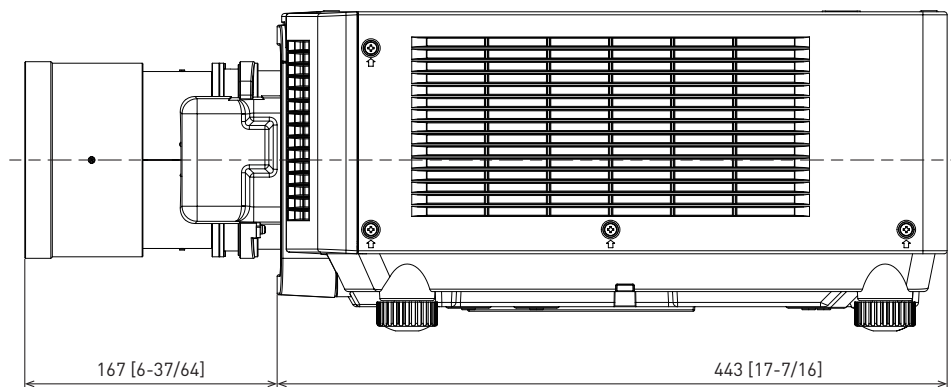


Figure attached to the [PT-MZ16KL/MZ13KL/MZ10KL] projector



unit : mm [inch]

This illustration is not drawn to scale.
Please read the projector's instruction manual for throw distances.
Weights and dimensions shown are approximate. Specifications subject to change without notice.