

Full HD Outdoor Dome Network Camera

Panasonic WV-U2530L captures the highest quality images in even very challenging and dynamic environments. Intelligent Auto (iA) monitors scene dynamics and motion to adjust key camera settings automatically in real-time reducing distortion such as motion blur on moving objects. By adopting H.265 Smart Coding technology, bandwidth efficiency is intelligently increased for longer recording and less storage.

Extreme image quality allows evidence to be captured even under challenging conditions

- Auto Shutter speed control for fast moving vehicles
- Sharp and clear images of a walking person day & night
- Outstanding low light performance in true color with low noise for night time applications
- Super Dynamic 120dB for backlit situations involving headlights and shadows on night streets
- Environmental durability : IP66, IK10 compliant and Dehumidification device

Extreme bandwidth compression with Panasonic H.265 Smart Coding

- Longer recording and less storage compared to any H.264 based compression techniques
- Self-learning ROI* encoding (Auto VIQS) detects movement within the image and compresses the areas with little motion in order to reduce transmitted data while maintaining the quality of the image.

*Region of Interest

Key Features

- Full HD 1080p up to 30fps
- iA (intelligent Auto)
- Super Dynamic 120dB
- Color night vision (0.006 to 0.1 lx)
- H.265 Smart Coding
- Corridor mode
(90 degrees or 270 degrees in image rotation)
- Onvif Profile G / T

Industry examples

- Safe Cities
- Transportation (Airport / Train, Subway station)
- Bank (ATM, Entrance)
- Retail / Logistics / Education / Hospital / Building



Specifications

| | | |
|------------------------|---|---|
| Camera | Image Sensor | Approx. 1/3 type CMOS image sensor |
| | Minimum Illumination | Color : 0.1 lx, BW: 0.04 lx (50IRE, F2.0, Maximum shutter: Off (1/30s), AGC: 11) BW : 0 lx (50IRE, F2.0, Maximum shutter: OFF (1/30 s), AGC: 11, when the IR LED is lit) Color : 0.006 lx, BW: 0.0025 lx (50IRE, F2.0, Maximum shutter: max. 16/30s, AGC: 11) *1 |
| | White Balance | ATW1/ ATW2/ AWC |
| | Maximum shutter | [30fps mode] Max. 1/10000 s to Max. 16/30 s [25fps mode] Max. 1/10000 s to Max. 16/25 s |
| | Intelligent Auto | On / Off |
| | Super Dynamic | On / Off, The level can be set in the range of 0 to 31. |
| | Dynamic Range | Max.120 dB (Super Dynamic: On, Level: 31) |
| | Adaptive Black Stretch | The level can be set in the range of 0 to 255. |
| | Back light compensation / High light compensation | BLC (Back light compensation) / HLC (High light compensation) / Off The level can be set in the range of 0 to 31. |
| | Fog compensation | On / Off, The level can be set in the range of 0 to 8. (only when Super Dynamic/ Intelligent auto: Off) |
| | Maximum gain (AGC) | The level can be set in the range of 0 to 11. |
| | Color/BW (ICR) | Off/ On (IR Light Off)/ On (IR Light On)/ Auto1 (IR Light Off)/ Auto2 (IR Light On)/ Auto3 (SCC) |
| | IR LED Light | High/ Middle/ Low/ Off Maximum irradiation distance: 30 m (Approx. 100 ft) |
| | Digital Noise Reduction | The level can be set in the range of 0 to 255. |
| | Video Motion Detection (VMD) | On / Off, 4 areas available |
| | Scene Change Detection (SCD) | On / Off, 1 area available |
| | Privacy Zone | On / Off, Up to 8 zones available |
| | VIQS | On / Off, Up to 8 zones available |
| | Image rotation *2 | 0° (Off)/ 90°/ 180° (Upside-down)/ 270° |
| | Camera Title (OSD) | On / Off, Up to 20 characters (alphanumeric characters, marks) |
| | Focal length | 3.2 mm (1/8 inches) |
| | Optical zoom | 1x |
| | Extra zoom | 1.0x - 1.5x(when resolution is 1280x720) |
| | Digital (electronic) zoom | Choose from 3 levels of x1, x2, x4 |
| | Angular Field of View | [16 : 9 mode] Horizontal : 100°, Vertical : 54° [4 : 3 mode] Horizontal : 81°, Vertical : 60° |
| | Maximum Aperture Ratio | 1 : 2.0 |
| | Focusing Range | 1 m (39-3/8 inches) - ∞ |
| Adjusting Angle | Horizontal (PAN) angle: -175° ~ +175°, Vertical (TILT) angle: -30° ~ +80° Azimuth (YAW) angle: ±100° | |
| Browser GUI | Camera Control Brightness | |
| | GUI / Setup Menu Language English, Italian, French, German, Spanish, Portuguese, Russian, Chinese, Japanese | |
| Network | Network IF 10Base-T / 100Base-TX, RJ45 connector | |
| | Resolution H.265 [16 : 9 mode] 1920x1080, 1280x720, 640x360, 320x180 [4 : 3 mode] 1600x1200, 1280x960, VGA, QVGA | |
| | H.265 Transmission Mode Constant bit rate / VBR / Frame rate / Best effort | |
| | Transmission Type Unicast port(AUTO) / Unicast port(MANUAL) / Multicast | |
| | Max. frame rate for each stream | |
| | Single-stream Multi-stream | |
| | JPEG Image Quality 10 steps | |

| | | |
|----------------------|------------------------------------|--|
| Network | Smart Coding | GOP(Group of pictures) control: On(Frame rate control)/ On(Advanced)/ On(Mid.)/ On(Low)/ Off AUTO VIQS: On/ Off |
| | Audio Compression | — |
| | Audio transmission mode | — |
| | Supported Protocol | IPv6 : TCP/IP, UDP/IP, HTTP, HTTPS, SMTP, DNS, NTP, SNMP, DHCPv6, RTP, MLD, IGMP, ARP, IEEE 802.1X, DiffServ IPv4 : TCP/IP, UDP/IP, HTTP, HTTPS, RTSP, RTP, RTP/RTCP, SMTP, DHCP, DNS, DDNS, NTP, SNMP, UPnP, IGMP, ICMP, ARP, IEEE 802.1X, DiffServ |
| | No. of Simultaneous Users | Up to 14 users (Depends on network conditions) |
| | SDXC/SDHC/SD Memory Card (Option) | H.265 recording: Manual REC / Alarm REC (Pre/Post) / Schedule REC / Backup upon network failure Compatible microSDXC/microSDHC Memory Card: microSD speed class6 or higher Panasonic 32 GB*, 64 GB**model *microSDHC card, **microSDXC card |
| | Mobile Terminal Compatibility | iPad, iPhone, Android™ terminals |
| | ONVIF Profile | G / T |
| Alarm | Alarm Source | VMD alarm, SCD alarm, Command alarm |
| | Alarm Actions | SDXC/SDHC/SD memory recording, E-mail notification, HTTP alarm notification, Indication on browser, Panasonic alarm protocol output |
| Input/ Output | Monitor Output(for adjustment) | — |
| | Audio input | — |
| | Audio Output | — |
| | External I/O Terminals | — |
| General | Safety | UL (UL60950-1), c-UL (CSA C22.2 No.60950-1), CE, IEC60950-1 |
| | EMC | FCC (Part15 ClassA), ICES003 ClassA, EN55032 ClassB, EN55024 |
| | Power Source and Power Consumption | PoE (IEEE802.3af compliant) Device: DC48 V 100 mA, Approx. 4.8 W (Class 2 device) |
| | Ambient Operating Temperature | -30 °C to +50 °C (-22 °F to +122 °F) {Power On range: -20 °C to +50 °C (-4°F to +122 °F)} |
| | Ambient Operating Humidity | 10 to 100 % (no condensation) |
| | Dehumidification Device | Temish element |
| | Water and Dust Resistance*3 | IP66 (IEC 60529), Type 4X (UL50E), NEMA 4X compliant |
| | Shock Resistance | IK10 (IEC 62262) |
| | Wind Resistance | Up to 40 m/s (approx. 89 mph) |
| | Dimensions | ø109 mm (W) x 62 mm (H) {ø4-9/32 inches x 2-7/16 inches (H)} Dome radius 30.5 mm (1-3/16 inches) |
| | Mass (approx.) | 270 g (0.60 lbs) |
| | Finish | Main body : Aluminum die cast / Polycarbonate resin, i-PRO white Outer fixing screws : Stainless steel (Corrosion-resistant treatment) Dome cover : Polycarbonate resin, Clear |

*1 Converted value

*2 When "4:3(30fps mode)" or "4:3(25fps mode)" is selected for "Image capture mode", "90 °" and "270 °" cannot be selected.

*3 Only when installation work is properly performed according to the Installation Guide and appropriate waterproof treatment is performed.

Optional Accessories

Mount Bracket / Dome Cover / Other

| | | |
|--|--|--|
| Base bracket WV-QJB502-W (i-PRO white)  | Ceiling Mount Bracket WV-QCL100-W (i-PRO white)  <p>*For indoor installation only</p> | Wall Mount Bracket WV-QWL500-W (i-PRO white)  |
| Adapter Box WV-QJB500-W (i-PRO white)  <p>(This bracket requires WV-QWL500-W.)</p> | Pole Mount Bracket WV-QPL500-W (i-PRO white)  <p>(This bracket requires WV-QWL500-W.)</p> | Corner Mount Bracket WV-QCN500-W (i-PRO white)  <p>(This bracket requires WV-QWL500-W.)</p> |
| Dome Cover (Smoke type) WV-QDC500S  | | |

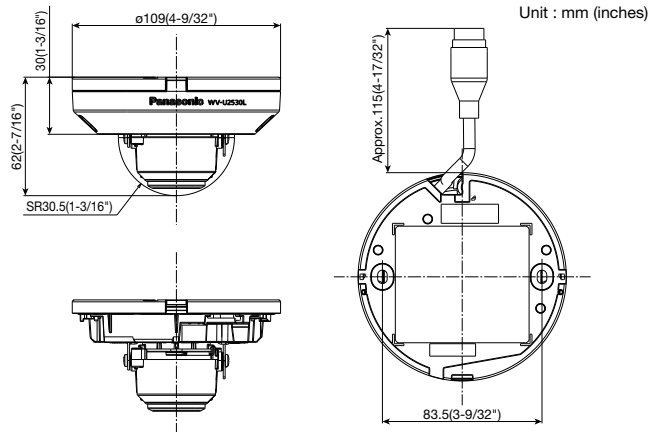
• Brackets are available in four colors, Fine silver, Light gray, Gray and i-PRO white. It is possible to use them in different color combinations.

Important

– Safety Precaution : Carefully read the Basic Information, Installation Guide and Operating Instructions before using this product.
– Panasonic cannot be responsible for the performance of the network and/or other manufacturers' products used on the network.

• Masses and dimensions are approximate. • Specifications are subject to change without notice.

Appearance



Trademarks and registered trademarks

– iPad and iPhone are trademarks of Apple Inc., registered in the U.S. and other countries.
– Android is a trademark of Google LLC.
– ONVIF is trademarks or registered trademarks of Onvif Inc.
– All other trademarks identified herein are the property of their respective owners.

Panasonic

Panasonic Corporation

Panasonic i-PRO Sensing Solutions Co., Ltd.

<https://ipro.panasonic.com>

<https://security.panasonic.com>

<https://www.linkedin.com/company/i-pro-sensing-solutions-co-ltd/>

(2A-243CA)