

HD 40x PTZ Network Camera

Panasonic WV-X6511N captures the highest quality images automatically even in very challenging and fast-changing surveillance environments. Outstanding Intelligent Zoom Stabilization to increase visibility under blur condition. Intelligent Auto (iA) monitors scene dynamics and motion to adjust key camera settings automatically in real-time reducing distortion such as motion blur on moving objects. By adopting H.265 Smart Coding technology, intelligently reduces bandwidth efficiency of up to 95%* over H.264 for longer recording and less storage. *Value in Advanced mode. It depends on the scene.

Extreme image quality for evidence capturing under challenging conditions

- Long-distance vision with high power 40x zoom lens and Intelligent Zoom Stabilization with gyroscope
- Sharp and clear image of fast moving vehicles with Intelligent Auto and ClearSight Coating
- Outstanding low light performance in true color with low noise for night time applications
- Super Dynamic 144dB for backlit situation by headlights and shadows on the streets at night
- Environmental durability: IP66, IK10, Long life Pan/Tilt gear mechanism, Wide operating temperature up to 60 °C (140 °F) and Dehumidification device

Extreme bandwidth compression with new Panasonic H.265 Smart Coding

- Longer recording, less storage compared to H.264 based compression techniques
- New self-learning ROI* encoding (Auto VIQS) dynamically detect motion areas to keep vehicles and human in good picture quality while lowering your bandwidth *Region of Interest

Extreme Data Security

- Full encryption SD card edge recording to keep your data safe
- FIPS140-2 CAVP compliant *Using encryption module standardized by FIPS publication 140-2
- Full end-to-end system encryption with supported VMS and devices to protect from IP snooping/spoofing and detect data alteration

Key Features

- HD 1280x720 up to 60fps
- Intelligent Zoom Stabilization with 40x optical zoom
- ClearSight Coating
- Durable Pan/Tilt gear mechanism
- iA (intelligent Auto)
- Extreme Super Dynamic 144dB
- Color night vision (0.0007 to 0.011 lx)
- IP66, IK10 certified
- Wider operating temperature range -50 °C to +60 °C (-58 °F to +140 °F)
- i-VMD License Bundled
- Fiber Optic Media Converter Unit (Optional WV-X65F1)
- Onvif Profile G / S / T

Industry examples

- Traffic
- Safe Cities
- Railway
- Critical infrastructure
- Airport
- Stadium



Specifications

| | | |
|---------------------------|------------------------------|---|
| Camera | Image Sensor | Approx. 1/2.8 type MOS image sensor |
| | Minimum Illumination | Color : 0.011 lx, BW : 0.005 lx (F1.6, Maximum shutter : Off (1/30s), AGC : 11) Color : 0.0007 lx, BW : 0.0003 lx (F1.6, Maximum shutter : max. 16/30s, AGC : 11)*1 |
| | Intelligent Auto | On / Off |
| | Shutter Speed | 1/30 Fix to 1/10000 Fix *1/30 Fix to 2/120 Fix is available during 30 fps mode only. *1/60 Fix is available during 60 fps mode only. |
| | Super Dynamic*2 | On / Off. The level can be set in the range of 0 to 31. |
| | Dynamic Range | Max.144 dB (Super Dynamic : On) |
| | Image Settings | Gain (AGC), White balance |
| | Image Compensation | Adaptive black stretch, Back light compensation (BLC), Fog compensation, High light compensation (HLC), Digital noise reduction |
| | Color/BW (ICR) | Off / On / Auto1 (Normal) / Auto2 (IR Light) / Auto3 (SCC) |
| | Video Motion Detection (VMD) | On / Off, 4 areas available |
| | Intelligent VMD (i-VMD)*3 | Type4 *Bundled License |
| | Stabilizer*3 | On / Off (available only in the 30 fps mode) |
| | Privacy Zone | Filling/Pixelate/ Off (up to 32 zones available) |
| | Camera Title (OSD) | On / Off, Up to 20 characters (alphanumeric characters, marks) |
| | Lens | Zoom Ratio |
| Digital (electronic) zoom | | 16x |
| Focal length | | 4.25 mm – 170 mm (5/32 inches – 6-11/16 inches) |
| Maximum Aperture Ratio | | 1 : 1.6 (WIDE) – 1 : 4.95 (TELE) |
| Focus range | | 3.0 m (9ft 10-1/8 inches) – ∞ |
| Angular Field of view | | [16 : 9 mode] Horizontal : 2.1 ° (TELE) – 65 ° (WIDE) Vertical : 1.2 ° (TELE) – 39 ° (WIDE) [4 : 3 mode] Horizontal : 1.6 ° (TELE) – 51 ° (WIDE) Vertical : 1.2 ° (TELE) – 39 ° (WIDE) |
| Pan/tilt | | Panning Range |
| | Panning Speed | Manual : Approx. 0.065°/s – 120°/s Preset : Up to approx. 300°/s |
| | Tilting Range | Operational range : -15° – 195° (level – downward – level) Recommended range : 0° – 180° Selectable tilting angle : 10°/5°/3°/0°*/4°/–3°*/4°/–5°*/4°/–10°*/4°/–15°*/4° |
| | Tilting Speed | Manual: Approx. 0.065°/s – 120°/s Preset: Up to approx. 300°/s |
| | Preset Positions | 256 positions |
| | Auto Mode | Auto track*3/ Auto pan/ Preset sequence/ Patrol |
| | Self Return | 10 s/ 20 s/ 30 s/ 1 min/ 2 min/ 3 min/ 5 min/ 10 min/ 20 min/ 30 min/ 60 min |
| Browser GUI | Camera Control | Pan/Tilt, Zoom, Focus, Auto mode, Brightness, Preset, AUX, Rec. on SD, Log, Viewer software |
| | Audio | Mic (Line) Input : On / Off Volume adjustment : Low / Middle / High Audio Output : On / Off Volume adjustment : Low / Middle / High |
| | GUI / Setup Menu Language | English, Italian, French, German, Spanish, Portuguese, Russian, Chinese, Japanese |
| Network | Network IF | 10Base-T / 100Base-TX, RJ45 connector |
| | Resolution | •1.3 mega pixel [16 : 9] (30/60 fps) 1280×720 / 640×360 / 320×180 |
| | H.265/ H.264 JPEG (MJPEG) | •1.3 mega pixel [4:3] (30 fps mode) 1280×960 / 800×600 / VGA / 400×300 / QVGA |
| | H.265/ H.264*5 | Constant bit rate / VBR / Frame rate / Best effort |
| | JPEG | Unicast / Multicast |
| | JPEG | Image Quality 10 steps |

| | | |
|----------------------|------------------------------------|--|
| Network | Smart Coding | Smart Facial Coding *3 : On(Smart Facial Coding)/ On(AUTO VIQS)/ Off *Smart Facial Coding is only available with Stream(1). GOP(Group of pictures) control : On(Advanced)/ On(Mid)/ On(Low)/ Off *On(Advanced) is only available with H.265. |
| | Audio Compression | G.726 (ADPCM) : 16 kbps / 32 kbps, G.711 : 64 kbps, AAC-LC*6 : 64 kbps / 96 kbps / 128 kbps |
| Network | Audio transmission mode | Off / Mic (Line) input / Audio output / Interactive (Half duplex) / Interactive (Full duplex) |
| | Supported Protocol | IPv6 : TCP/IP, UDP/IP, HTTP, HTTPS, RTP, FTP, SMTP, DNS, NTP, SNMP, DHCPv6, MLD, ICMP, ARP, IEEE 802.1X, DiffServ IPv4 : TCP/IP, UDP/IP, HTTP, HTTPS, RTSP, RTP, RTSP/RTCP, FTP, SMTP, DHCP, DNS, DDNS, NTP, SNMP, UPnP, IGMP, ICMP, ARP, IEEE 802.1X, DiffServ |
| Network | Maximum concurrent access number | Up to 14 users (Depends on network conditions) |
| | SDXC/SDHC/SD Memory Card (Option) | H.265 / H.264 recording: Manual REC / Alarm REC (Pre/Post) / Schedule REC / Backup upon network failure JPEG recording:Manual REC / Alarm REC (Pre/Post) / Backup upon network failure Compatible SDXC/SDHC/SD Memory Card: Panasonic 2 GB, 4 GB*, 8 GB*, 16 GB*, 32 GB*, 64 GB**, 128 GB**, 256 GB** model *SDHC card, ** SDXC card (except miniSD card and microSD card) |
| Network | Mobile Terminal Compatibility | iPad / iPhone, Android™ terminals |
| | ONVIF Profile | G / S / T |
| Alarm | Alarm Source | 3 terminals input, VMD alarm*7, Command alarm, Audio detection alarm, Auto track alarm |
| | Alarm Actions | SDXC/SDHC/SD memory recording, E-mail notification, HTTP alarm notification, Indication on browser, FTP image transfer, Panasonic protocol output |
| Input/ Output | Audio Input | ø3.5 mm stereo mini jack (monaural input) Input impedance: Approx. 2 kΩ (unbalanced) (Applicable microphone : Plug-in power type) Supply voltage : 4.0 V ±0.5 V |
| | Audio Output*8 | ø3.5 mm stereo mini jack (monaural output) Output impedance : Approx. 600 Ω (unbalanced) |
| General | External I/O Terminals | ALARM IN1(Alarm input 1/ Black & white input/ Auto time adjustment input), ALARM IN2(Alarm input 2/ ALARM OUT), ALARM IN3(Alarm input 3/ AUX OUT)(x1 for each) |
| | Safety | UL (UL60950-1), c-UL (CSA C22.2 No.60950-1), CE, IEC60950-1 |
| General | EMC | FCC (Part15 ClassA), ICES003 ClassA, EN55032 ClassB, EN55024 |
| | Power Source and Power Consumption | AC24 V 3.4 A, Approx. 55 W PoE+ (IEEE802.3at compliant): DC 54V 470 mA, Approx. 25 W Tested POE Injector (60 W) : DC 54V 1.0 A, Approx. 50 W |
| General | Ambient Operating Temperature | -50 °C to +60 °C (-58 °F to +140 °F) (AC 24 V / Tested PoE injector (60 W)) -30 °C to +60 °C (-22 °F to +140 °F) (PoE+ device) {Power On range: -20 °C to +60 °C (-22 °F to +140 °F)} |
| | Ambient Operating Humidity | 10 to 100 % (no condensation) |
| General | Dehumidification Device | Rosahl element |
| | Water and Dust Resistance | IP66 (IEC60529), Type 4X (UL50), NEMA 4X compliant |
| General | Shock Resistance | IK10 (IEC62262) |
| | Dimensions | Maximum ø229 mm × 393 (H) mm [ø9-1/32 inches × 15-15/32 inches (H)] |
| General | Mass (approx.) | Approx. 5.2 kg (11.47 lbs) |
| | Finish | Main body : Aluminum die cast, Natural silver Sunshields : ABS+PC resin coating, Natural silver Outer fixing screws : SUS (Corrosion-resistant treatment) Dome cover : Polycarbonate resin(with ClearSight coating), Clear |

*1 Converted value

*2 Super Dynamic function is automatically set off on 60 fps mode.

*3 Stabilizer, Auto track, Smart Facial Coding, i-VMD, can not be used at the same time.

*4 If "0 °", "-3 °", "-5 °", "-10 °", or "-15 °" is selected, the area hidden by the camera housing may increase when the tilt angle of the camera is almost level. When "-15 °" is selected for "Tilt Angle", the upper half of images will be hidden.

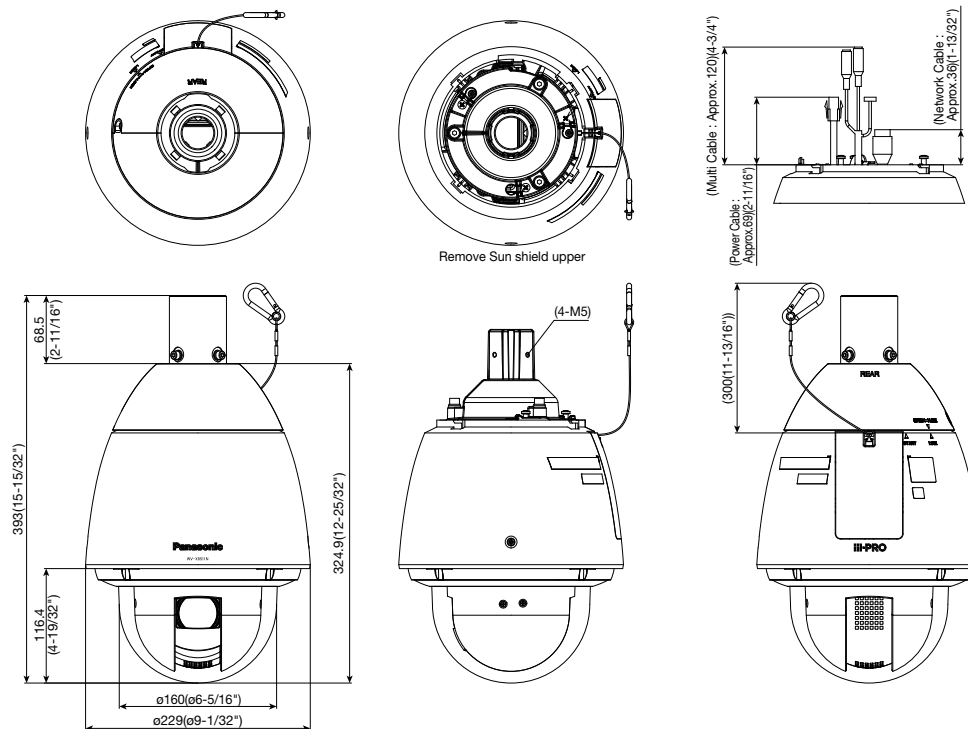
*5 Transmission for 4 streams can be individually set.

*6 When recording audio on an SD memory card, only use AAC-LC (Advanced Audio Coding - Low Complexity).

*7 Including alarms from Plug-in Software

*8 The audio output can be switched to the monitor output. Refer to the Operating Instructions on the provided CD-ROM for descriptions of how to switch the output.

Appearance

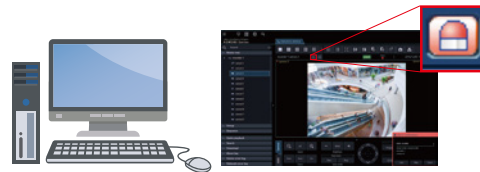


Unit : mm (inches)

Bundled License

Plug-in Software for i-VMD

i-VMD is possible to detect objects in the specified area by advanced video analysis technology.
 i-VMD : Intruder Detection, Loitering Detection, Direction Detection, Scene Change Detection, Object Detection, Cross Line Detection



Notification sent to the monitoring screen

Optional Accessories

Fiber Optic Media Converter Unit

Extension Unit
WV-X65F1
 (Fine silver)



Fiber Optic Media Converter Unit supports long distance optical networks by converting copper RJ45 to fiber.

• Basic specifications

| | |
|---------------------------------|--|
| Power source | 24 V AC(50 Hz/60 Hz) |
| Ambient Operating Temperature : | -40 °C to +60 °C(-40 °F to 140 °F) (Power On range: -30 to +60 (-22 °F to 140 °F)) |
| Ambient Operating Humidity : | 10 % to 100 %(no condensation) |
| Waterproof | IP66(IEC60529) |
| Shock resistance | IK10(IEC62262) |

*Refer to website for compatible SFP modules. <https://security.panasonic.com/support/info/> <Control No. : C0504>

• Support specifications for SFP module

| | |
|-------------------------|--|
| SFP Port Type | LC type |
| Ethernet Speed | 100/1000 Mbps |
| Supply voltage, current | 3.3 V typical, Max. 300 mA |
| SFP Cage | Standard mini-SFP cage (For 6.5 mm pitch SFP) |

*Different Color Model WV-S25F1 (Light gray)

Mount Bracket

Ceiling surface mount bracket
WV-QCL500-S
 (Silver)



Ceiling Mount Bracket
WV-Q121B
 (Fine silver)



Wall Mount Bracket
WV-Q122A
 (Fine silver)



Pole Mount Bracket
WV-Q188
 (Fine silver)



(These brackets are used with WV-Q122A.)

Corner Mount Bracket
WV-Q189
 (Fine silver)



(These brackets are used with WV-Q122A.)

• Brackets are available in four colors, Fine silver, Light gray, Gray and i-PRO white. It is possible to use them in different color combinations.

Important

- Safety Precaution : Carefully read the Basic Information, Installation Guide and Operating Instructions before using this product.
- Panasonic cannot be responsible for the performance of the network and/or other manufacturers' products used on the network.

Trademarks and registered trademarks

- iPad and iPhone are trademarks of Apple Inc., registered in the U.S. and other countries.
- Android is a trademark of Google LLC.
- ONVIF is trademarks or registered trademarks of Onvif Inc.
- All other trademarks identified herein are the property of their respective owners.

• Masses and dimensions are approximate. • Specifications are subject to change without notice.

Panasonic®

Panasonic Corporation

Panasonic i-PRO Sensing Solutions Co., Ltd.

<https://ipro.panasonic.com>

<https://security.panasonic.com>

<https://www.linkedin.com/company/i-pro-sensing-solutions-co-ltd/>