

## 4MP Varifocal Lens Outdoor Dome Network Camera

Panasonic WV-U2542L captures the highest quality 4MP resolution images in even very challenging and dynamic environments. Intelligent Auto (iA) monitors scene dynamics and motion to adjust key camera settings automatically in real-time reducing distortion such as motion blur on moving objects. By adopting H.265 Smart Coding technology, bandwidth efficiency is intelligently increased for longer recording and less storage.

### Extreme image quality allows evidence to be captured even under challenging conditions

- Auto Shutter speed control for fast moving vehicles
- Sharp and clear images of a walking person day & night
- Outstanding low light performance in true color with low noise for night time applications
- Super Dynamic 102dB for backlit situations involving headlights and shadows on night streets

### Extreme bandwidth compression with Panasonic H.265 Smart Coding

- Longer recording and less storage compared to any H.264 based compression techniques
- Self-learning ROI\* encoding (Auto VIQS) detects movement within the image and compresses the areas with little motion in order to reduce transmitted data while maintaining the quality of the image.

\*Region of Interest

### Key Features

- 4-megapixel images up to 30fps
- 2.5x built-in motorized zoom and motorized focus lens
- iA (intelligent Auto)
- Super Dynamic 102dB
- Color night vision (0.019 to 0.3 lx)
- H.265 Smart Coding
- Corridor mode  
(90 degrees or 270 degrees in image rotation)
- Onvif Profile G / T

### Industry examples

- Safe Cities
- Transportation (Airport / Train, Subway station)
- Bank (ATM, Entrance)
- Retail / Logistics / Education / Hospital / Building



ii·PRO

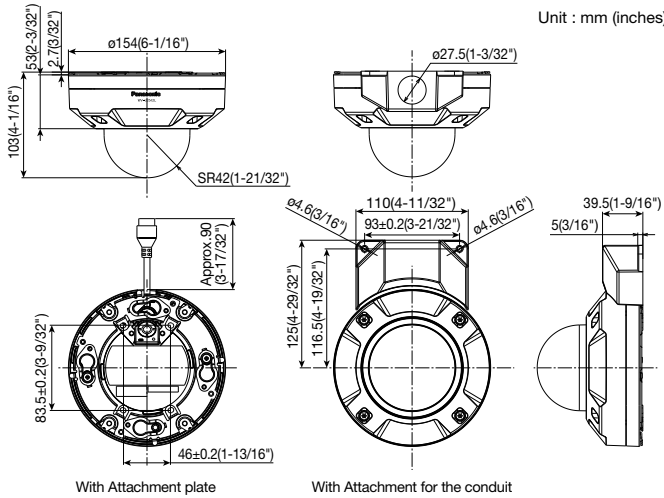
# Specifications

<b>Camera</b>	Image Sensor	Approx. 1/2.7 type CMOS image sensor
	Minimum Illumination	Color : 0.3 lx, BW: 0.12 lx (50IRE, F2.0, Maximum shutter: Off (1/30s), AGC: 11) BW : 0 lx (0 footcandle) (50IRE, F2.0, Maximum shutter: OFF (1/30 s), AGC: 11, when the IR LED is lit) Color : 0.019 lx, BW: 0.0075 lx (50IRE, F2.0, Maximum shutter: max. 16/30s, AGC: 11) *1
	White Balance	ATW1/ ATW2/ AWC
	Maximum shutter	<b>[30fps mode]</b> Max. 1/10000 s to Max. 16/30 s <b>[25fps mode]</b> Max. 1/10000 s to Max. 16/25 s
	Intelligent Auto	On / Off
	Super Dynamic	On / Off, The level can be set in the range of 0 to 31.
	Dynamic Range	Max.102 dB (Super Dynamic: On, Level: 31)
	Adaptive Black Stretch	—
	Back light compensation / High light compensation	BLC/ HLC/ Off (only when Super Dynamic/ Intelligent auto: Off)
	Fog compensation	On / Off, The level can be set in the range of 0 to 8. (only when Intelligent auto / auto contrast adjust: Off)
	Maximum gain (AGC)	The level can be set in the range of 0 to 11.
	Color/BW (ICR)	Off/ On (IR Light Off/ On (IR Light On)/ Auto1 (IR Light Off)/ Auto2 (IR Light On)/ Auto3 (SCC)
	IR LED Light	High/ Middle/ Low/ Off Maximum irradiation distance: 20 m (Approx. 65 ft)
	Digital Noise Reduction	The level can be set in the range of 0 to 255.
	Video Motion Detection (VMD)	On / Off, 4 areas available
	Scene Change Detection(SCD)	On / Off, 1 areas available
	Privacy Zone	On / Off, Up to 8 zones available
	Image rotation	0° (Off)/ 90°/ 180° (Upside-down)/ 270°
	Camera Title (OSD)	On / Off, Up to 20 characters (alphanumeric characters, marks)
	<b>Lens</b>	Focal length
Optical zoom		2.5x (Motorized zoom / Motorized focus)
Extra optical zoom		2.5x - 3.3x (when resolution is 1920x1080)
Digital (electronic) zoom		Choose from 3 levels of x1, x2, x4
Angular Field of View		<b>[16 : 9 mode]</b> *4:3 mode is not supported. Horizontal : 43° (TELE) – 100° (WIDE), Vertical : 24° (TELE) – 56° (WIDE)
Maximum Aperture Ratio		1 : 2.0 (WIDE) – 1 : 3.0 (TELE)
Focusing Range	1 m (39-3/8 inches) – ∞	
<b>Adjusting Angle</b>	Ceiling mounting	—
	Wall mounting	—
<b>Browser GUI</b>	Camera Control	Brightness
	GUI / Setup Menu Language	English, Italian, French, German, Spanish, Portuguese, Russian, Chinese, Japanese

\*1 Converted value  
\*2 Only when installation work is properly performed according to the Installation Guide and appropriate waterproof treatment is performed.

<b>Network</b>	Network IF	10Base-T / 100Base-TX, RJ45 connector	
	Resolution H.265	<b>[16 : 9 mode]</b> *4:3 mode is not supported. 2560x1440, 1920x1080, 640x360, 320x180	
	H.265	Transmission Mode	Constant bit rate / VBR / Frame rate / Best effort
		Transmission Type	Unicast / Multicast
	Max. frame rate for each stream	Single-stream	30fps
		Multi-stream	15fps
	Stream(1)	Stream(2)	Off
		Stream(3)	Off
	JPEG	Image Quality	10 steps
	Smart Coding	<b>GOP(Group of pictures) control:</b> On(Frame rate control)/ On(Advanced)/ On(Mid)/ On(Low)/ Off <b>AUTO VIQS: On/ Off</b>	
Audio Compression	—		
Audio transmission mode	—		
Supported Protocol	IPv6 : TCP/IP, UDP/IP, HTTP, HTTPS, SMTP, DNS, NTP, SNMP, DHCPv6, RTP, MLD, ICMP, ARP, IEE802.1X, DiffServ IPv4 : TCP/IP, UDP/IP, HTTP, HTTPS, RTSP, RTP, RTP/RTCP, SMTP, DHCP, DNS, DDNS, NTP, SNMP, UPnP, IGMP, ICMP, ARP, IEE802.1X, DiffServ		
No. of Simultaneous Users	Up to 14 users (Depends on network conditions)		
SDXC/SDHC/SD Memory Card (Option)	H.265 recording: Manual REC / Alarm REC (Pre/Post) / Schedule REC / Backup upon network failure Compatible microSDXC/microSDHC Memory Card: Panasonic 32 GB*, 64 GB**model *microSDHC card, **microSDXC card		
Mobile Terminal Compatibility	iPad, iPhone, Android™ terminals		
ONVIF Profile	G / T		
<b>Alarm</b>	Alarm Source	VMD alarm, SCD alarm, Command alarm	
	Alarm Actions	SDXC/SDHC/SD memory recording, E-mail notification, HTTP alarm notification Indication on browser, Panasonic alarm protocol output	
<b>Input/Output</b>	Monitor Output(for adjustment)	—	
	Audio input/Audio Output	—	
<b>General</b>	External I/O Terminals	—	
	Safety	UL (UL60950-1), c-UL (CSA C22.2 No.60950-1), CE, IEC60950-1	
	EMC	FCC (Part15 ClassA), ICES003 ClassA, EN55032 ClassB, EN55024	
	Power Source and Power Consumption	PoE (IEEE802.3af compliant) Device: DC48 V 150 mA, Approx. 7.2 W (Class 0 device)	
	Ambient Operating Temperature	-30 °C to +50 °C (-22 °F to +122 °F) {Power On range: -20 °C to +50 °C (-4°F to +122 °F)}	
	Ambient Operating Humidity	10 to 100 % (no condensation)	
	Dehumidification Device	Temish element	
	Water and Dust Resistance*2	IP66 (IEC 60529), Type 4X (UL50E), NEMA 4X compliant	
	Shock Resistance	IK10 (IEC 62262)	
	Dimensions	ø154 mm (W) x 103 mm (H) (ø6-1/16 inches x 4-1/16 inches (H)) Dome radius 42 mm (1-21/32 inches)	
	Mass (approx.)	1.0 kg (2.21 lbs.)	
	Finish	Main body: Aluminum die cast/ PC resin, i-PRO white Outer fixing screws: Stainless steel (Corrosion-resistant treatment) Dome cover: Polycarbonate resin, Clear	

# Appearance



### Trademarks and registered trademarks

- iPad and iPhone are trademarks of Apple Inc., registered in the U.S. and other countries.
- Android is a trademark of Google LLC.
- ONVIF is trademarks or registered trademarks of Onvif Inc.
- All other trademarks identified herein are the property of their respective owners.

### Important

- Safety Precaution : Carefully read the Basic Information, Installation Guide and Operating Instructions before using this product.
- Panasonic cannot be responsible for the performance of the network and/or other manufacturers' products used on the network.

• Masses and dimensions are approximate. • Specifications are subject to change without notice.

# Optional Accessories

## Mount Bracket / Dome Cover / Other

<b>Ceiling Mount Bracket</b> <b>WV-Q105A</b>  *For indoor installation only	<b>Base Bracket</b> <b>WV-QJB501-W</b> (i-PRO white) 	<b>Ceiling Mount Bracket (Embedded)</b> <b>WV-QEM500-W</b> (i-PRO white) 	<b>Ceiling Mount Bracket (Embedded)</b> <b>WV-QCL100-W</b> (i-PRO white)  *For indoor installation only
<b>Mount Bracket</b> <b>WV-QSR501-W</b> (i-PRO white) (This bracket requires WV-QCL501-W, WV-QWL501-W or WV-QAT500-W)	<b>Ceiling Mount Bracket</b> <b>WV-QCL501-W</b> (i-PRO white) (This bracket requires WV-QSR501-W.)	<b>Wall Mount Bracket</b> <b>WV-QWL501-W</b> (i-PRO white) (This bracket requires WV-QSR501-W.)	<b>Wall Mount Bracket</b> <b>WV-QWL500-W</b> (i-PRO white) 
<b>Adapter Box</b> <b>WV-QJB500-W</b> (i-PRO white) (This bracket requires WV-QWL500-W.)	<b>Sun Shade</b> <b>WV-QSR500-W</b> (i-PRO white) 	<b>Pole Mount Bracket</b> <b>WV-QPL500-W</b> (i-PRO white) (This bracket requires WV-QWL501-W.)	<b>Corner Mount Bracket</b> <b>WV-QCN500-W</b> (i-PRO white) (This bracket requires WV-QWL501-W.)
<b>Attachment pipe (For 3rd party bracket)</b> <b>WV-QAT500-W</b> (i-PRO white) (This bracket requires WV-QSR501-W.)	<b>Dome Cover (Smoke type)</b> <b>WV-CW7S</b> <b>WV-CW7SN</b> 	<b>Dome Cover (Clear type with ClearSight coating)</b> <b>WV-CW7CN</b> 	

• Brackets are available in four colors, Fine silver, Light gray, Gray and i-PRO white. It is possible to use them in different color combinations.

# Panasonic®

Panasonic Corporation

Panasonic i-PRO Sensing Solutions Co., Ltd.

<https://ipro.panasonic.com>

<https://security.panasonic.com>

<https://www.linkedin.com/company/i-pro-sensing-solutions-co-ltd/>

(2A-239CA)