

## TURBO-RAID System Recorder

H.265/H.264 high-throughput and scalable embedded recorder featuring integrated GUI and robust embedded IP security enabling a secure end-to-end PC-less surveillance solution for mission-critical applications.

Supports full data encryption streaming recording for all i-PRO Extreme cameras which use an encryption module standardized by FIPS publication 140-2 for secure video streaming to keep your video from spoofing and snooping activities.

### Secure high bandwidth recording

- 64 ch. expandable to 128 ch. camera input. Support H.265 / H.264 mixed recordings.
- 640 Mbps total through put (including 384 Mbps recording bandwidth)
- DigiCert device certificates pre-installed \*Secure Communication Kits are necessary.

### PC-less non VMS surveillance solution

- No camera license fees with a default number of cameras; no annual license updates required.
- Built-in GUI and Dual HDMI (4K/FHD) outputs
- Automatic camera configuration
- Sub-stream recording for mobile access and low bandwidth system environments

### Scalable storage

- (9) integrated drive-bays RAID 1 / 5 / 6
- External storage expansion up to 324 TB

### High reliability and redundancy

- Dynamic HDD power management increases HDD life
- Redundant fail-over using 2<sup>nd</sup> recorder to enable mission-critical recording\*
- NVR backup important data to NAS devices.\*
- TURBO-RAID for quick RAID recovery without sacrificing recording bandwidth and performance

\* KMS registration is necessary for activation.

### Applications

- Public safety (City / Road / Highway / Port)
- Transportation (Airport / Train / Subway)
- Bank / Retail
- Hospital / Education
- Casino / Stadium
- Factory



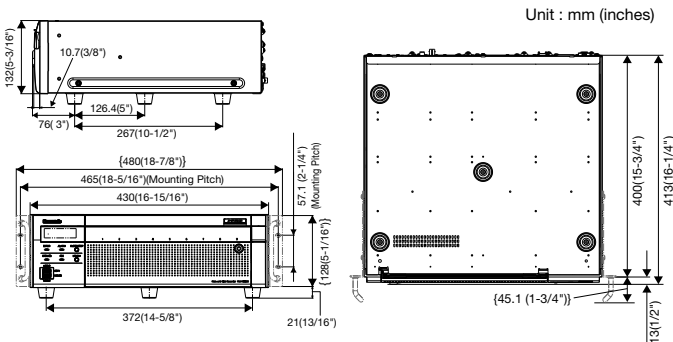
# Specifications

<b>Supported Camera</b>	Compatible vendor	Panasonic i-PRO series Network cameras, ONVIF NVT conformant camera and encoder	
	Supported Image Format	H.265(HEVC), H.264, JPEG	
	Supported Image Resolution (Depending on the camera)	<b>•Aspect ratio [4 : 3]</b> 4,000x3,000, 2,560x1,920, 2,048x1,536, 1,280x960, 800x600, 640x480 <b>•Aspect ratio [16 : 9]</b> 3,840x2,160, 2,560x1,440, 1,920x1,080, 1,280x720, 640x360 <b>•Aspect ratio [1 : 1]</b> 2,992x2,992, 2,816x2,816, 2,048x2,048, 1,280x1,280 <b>•Aspect ratio [9 : 16]</b> 1080x1920, 720x1280, 360x640	
	Supported Audio Format	G.711 for Onvif, G.726 (ADPCM) 32 kbps, AAC-LC	
<b>Recording</b>	Maximum Number of Cameras	MAX. 128* (Default number of cameras : 64)	
	Recording Mode	Event, Schedule, Emergency	
	Pre-alarm Recording	Up to 15 seconds *When the delivery speed from the network camera is less than 3 Mbps.	
	Sub-stream Recording	64 / 128 / 256 / 384 / 512 / 768 kbps	
	Scheduled Recording Mode	16 programs, 3 time zones/day, Independent setup for each day of the week	
<b>Main Unit Functions</b>	Camera Control	Pan/Tilt, Zoom, Focus, Brightness, Preset position call and program (up to 256), Auto mode, Click centering, Wheel zoom, Zoom reset, Auto Back Focus, Aux, Wiper (for WV-SUD638)	
	Multiscreen Mode	<b>[Main monitor]</b> • Control screen 4 / 9 / 16 split screen display • Wide view screen 2 / 3 / 4 / 5 / 6 / 7 / 9 / 12 / 16 / 24 / 32 split screen display, 1 screen sequence, 4 / 9 / 16 split screen sequence <b>[Sub monitor]</b> 1 / 4 / 9 / 16 / 32 split screen display, 1 screen sequence, 4 / 9 / 16 split screen sequence	
	Playback Control	PLAY, Rev PLAY, Pause, Stop, FF, FR, Prev Record, Next Record, Prev Image, Next Image, Go to Date, Go to Last (30 s), Time-saving playback	
	Search Mode	Search criteria : Time date, Playback by designating a timeline, VMD, Thumbnail Copy File Format : Original Format / MP4 Recorded data of selected cameras and time date range can be copied to USB storage.	
	Camera Title	Up to 16 Characters	
	Clock Display	Time : 12H/24H, Date : 5 formats	
	Digital Zoom	Live/Play : 1.25x 1.5x 1.75x 2x 2.5x 3x 3.5x 4x 5x 6x 7x 8x (only for 1-screen or 4-screen)	
	System Log	Operator access (500), Network error (100), Error (1,000), Event (1000), Operation (500)	
	System Setup	Setup page in English, French, Italian, Spanish, German, Russian, Portuguese, Thai, Simplified Chinese, Japanese	
	360 Camera Dewarp	Only 1ch display mode.	
	re-encoding	2Client *Only when 64 ch mode	
	SD Memory Data Download	Images recorded in the SD card in the i-PRO series cameras can be transferred to the recorder automatically. (H.265/H.264)	
	<b>Browser GUI</b>	Camera Control	Pan/Tilt, Zoom, Focus, Brightness, Preset position call and program (up to 256), Auto mode, Click centering, Wheel zoom, Zoom reset, Aux, Wiper (for WV-SUD638)
		Playback Control	REC, PLAY, Rev PLAY, Pause, Stop, FF, FR, Prev Record, Next Record, Prev Image, Next Image, Go to Date, Go to Last (30 s)
		Search Mode	Search criteria : Time date, Event type, VMD, Camera number
		Display Mode	1 / 4 screen
		Image Download	File Format : Original Format / MP4 Recorded data of selected camera and time range can be downloaded to a PC. Viewer software can be downloaded separately.
		Copy	File Format : Original Format / MP4 Recorded data of selected cameras and time date range can be copied to USB storage.
		Camera Title	Up to 16 characters
		Clock Display	On the browser. Time : 12H/24H, Date : 5 formats
Alarm Control		Reset	
Digital Zoom		Live/Play : 2x, 4x (only for 1-screen)	
System Log		Operator access (500), Network error (100), Error (1,000), Event (1000), Operation (500)	
GUI Language		Setup page in English, French, Italian, Spanish, German, Russian, Portuguese, Thai, Simplified Chinese, Japanese	
Required PC		CPU : Intel® Core™ i7-860 or faster, RAM : 4 GB or more, VRAM : 128 MB or more (Min. 64 MB), Microsoft® DirectX® 9.0c or later	

\*1 Two Additional Camera Kits WJ-NXE40 are necessary. \*2 Non-voltage make contact input  
 \*3 Open collector output, 24 V DC, -200 mA max. \*4 +5V ±0.5 V 200 mA max.  
 \*5 Please check the following URL for the latest information. ( <https://security.panasonic.com/download/library/> )  
 \*6 Panasonic Security Viewer v.3.0 or later is required on smartphone/tablet PC.

<b>Alarm/Event</b>	Alarm Source	32x Terminal inputs, 128x Camera alarms (Panasonic Alarm Protocol), 128x Command alarms	
	Event Mode	Off / On	
	Alarm Action	Alarm recording, e-mail notification, Alarm message, Camera positioning, Terminal output, Panasonic alarm protocol output, Buzzer, Indicator	
	Alarm Control	Reset	
	Event log	1000	
	<b>Input / Output</b>	Spot Output Connector	1 x 1 V [p-p] / 75 Ω (BNC) NTSC / PAL (selectable in setup menu)
		Monitor (HDMI) Connector	<b>[Main monitor]</b> HDMI 4K UHD(3840x2160p)/30Hz, 4K UHD(3840x2160p)/25Hz, 1920x1080p/60Hz, 1920x1080p/50Hz, 1920x1080i/60Hz, 1920x1080i/50Hz <b>[Sub monitor]</b> HDMI 1920x1080p/60Hz, 1920x1080p/50Hz, 1920x1080i/60Hz, 1920x1080i/50Hz
		Audio Output Connector	-10 dBv, 600 Ω, 600 Ω, unbalanced x1 (RCA pin jack)
		Alarm / Control Terminal	Alarm input 1 - 32 <sup>2</sup> , Alarm output 1 - 4 <sup>3</sup> , Alarm reset input <sup>2</sup>
		Control	Time adjustment input <sup>2</sup> , 2x +5 V output <sup>4</sup> , Emergency recording input, External recording mode switching input
Error/Warning		Network error output <sup>3</sup> , HDD error output <sup>3</sup> , Camera error output <sup>3</sup> , Recorder error output <sup>3</sup> , Recording error output <sup>3</sup> , Outage detection input, Outage processing end output	
Mouse Connection Port		2 (Front 1, Rear 1)	
Network Port		2x 10BASE-T / 100BASE-TX / 1000BASE-T (RJ45)	
USB Storage		USB 3.0 / USB 2.0 memory, USB 3.0 / USB 2.0 connected HDD (except bus powered device)	
External Storage		5x WJ-HXE400	
<b>Network</b>	Network Interface	2x 10BASE-T / 100BASE-TX / 1000BASE-T (RJ45)	
	Maintenance Network Port	1x 10BASE-T / 100BASE-TX (RJ45)	
	Maximum Recording Rate	384 Mbps or less	
	Maximum Band Width	Total 640 Mbps or less	
	Supported Protocol	IPv4 : TCP/IP, UDP/IP, HTTP, HTTPS, FTP, SMTP, DNS, NTP, SNMP, RTP, STP, ICMP, ARP IPv6 : ICMPv6	
	E-mail	Upon Alarm or Warning	
	No. of Simultaneous Users	16 or less	
	User Registration	Up to 32 users	
	User Level	3 Levels (Programmable)	
	Partitioning	User level - Camera (View & Control, No Access)	
<b>Other Functions</b>	Security Method	User authentication (ID and Password), Host authentication, Alteration detection, SSL/TLS	
	Time Synchronization	Terminal (Slave), NTP (Server/Client)	
	Summer Time	User definable (using menu setup)	
	Remote Monitoring on Smartphone/Tablet	16 clients or less <sup>6</sup>	
	<b>HDD</b>	Type	WJ-NX400 : 8.89 cm (3.5 inch) Serial ATA HDD, Up to 9x HDDs can be installed. (with HDD canister as standard accessory)
		Maximum Capacity	54 HDD slots (with 5x WJ-HXE400 Extension Units, 9x HDDs installed in each unit) Up to 6 TB will be supported. <sup>5</sup>
		RAID (Hardware RAID)	Single, RAID1, 5, 6
		Playback Control	Play, Rev Play, Pause, FF, FR, Prev Record, Next Record, Prev Image, Next Image
	<b>Viewer Software</b>	Additional Functions	Alteration detection, Save as JPEG, Two times zoom, Print, Copy, Aspect ratio switching, fish eye correction, corridor display
		Supported OS, Language	Language of the software will be English or Japanese
<b>General Specifications</b>	Safety / EMC Standard	WJ-NX400K : UL (UL60065), FCC (Part15 ClassA), C-UL (CAN/CSA C22.2 No.60065), DOC (ICES003 ClassA) WJ-NX400K/G : CE (EN60065, EN55032 ClassB, EN55024), EAC	
	Power Source	WJ-NX400K : 120 V AC 60 Hz / WJ-NX400K/G : 220 V - 240 V AC 50 Hz/60 Hz	
	Power Consumption	approx. 125 W (with 6 TB HDD x9)	
	Ambient Operating Temperature	Main body : +5 °C to +45 °C (41 °F to 113 °F) Mouse (provided) : +5 °C to +40 °C (41 °F to 104 °F)	
	Ambient Operating Humidity	5 % to 90 % (without condensation)	
	Maximum Operating Altitude	2,000 m (6,562 feet) above sea level	
	Dimensions	430 mm (W) x 132 mm (H) x 413 mm (D) (From Rack Mount Bracket 400 mm) {16-15/16 inches (W) x 5-3/16 inches (H) x 16-1/4 inches (D)} (From Rack Mount Bracket 15-3/4") (excluding rubber feet and projections)	
	Mass (approx.)	When no HDD is installed : 11.5 kg (25.4 lbs) / When 9 HDDs are installed : 20 kg (44.1 lbs)	

## Appearance



### Trademarks and registered trademarks

- "i-PRO" logo is trademarks or registered trademarks of Panasonic Corporation.
- HDMI, the HDMI logo and High-Definition Multimedia Interface are trademarks or registered trademarks of HDMI Licensing LLC.
- ONVIF and the ONVIF logo are trademarks or registered trademarks of ONVIF Inc.
- All other trademarks identified herein are the property of their respective owners.

DISTRIBUTED BY :

## Optional Accessories

<b>Hard Disk Extension Unit WJ-HXE400</b>	Power Source	WJ-HXE400 : 120 V AC, 60 Hz WJ-HXE400/G : 220 - 240 V AC, 50Hz / 60Hz
	Power Consumption	85 W (170 VA) / 85 W (175 VA)
	Dimensions	430 mm (W) x 132 mm (H) x 413 mm (D) (From Rack Mount Bracket 400 mm) {16-15/16" (W) x 5-3/16" (H) x 16-1/4" (D)} (From Rack Mount Bracket 15-3/4") (excluding rubber feet and projections)
	Weight	11 kg (24.3 lbs) (When no HDD exist) 19.5 kg (43.0 lbs) (When 9 HDDs are installed)

**Additional Camera Kits**  
 Number of cameras used in the system can be increased to 96 and 128 (maximum) by purchasing the Additional Camera Kits (WJ-NXE40, WJ-NXE40W : license for 32 cameras).

<b>Secure Communication Kits</b>				
The Secure Communication Kits are license kits to use the security function of the network disk recorder (WJ-NX400K). Each Secure Communication Kit allows the following number of cameras to be registered.				
WJ-NXS01, WJ-NXS01W	WJ-NXS04, WJ-NXS04W	WJ-NXS16, WJ-NXS16W	WJ-NXS32, WJ-NXS32W	
1 camera	4 cameras	16 cameras	32 cameras	

- Important**
- Safety Precaution : Carefully read the Important Information, Installation Guide and operating instructions before using this product.
  - Panasonic cannot be responsible for the performance of the network and/or other manufacturers' products used on the network.
  - Masses and dimensions are approximate. • Specifications are subject to change without notice.

# Panasonic

<http://security.panasonic.com>

<http://www.facebook.com/PanasonicNetworkCamera>