

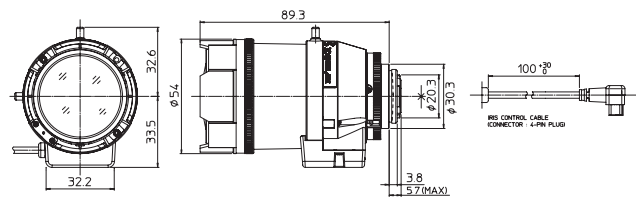
# HD Vari-Focal (8-80mm)

## DV10x8SR4A-SA1

10x Applicable camera (model) 1 2/3 1/2 1/3 1/4 For Security



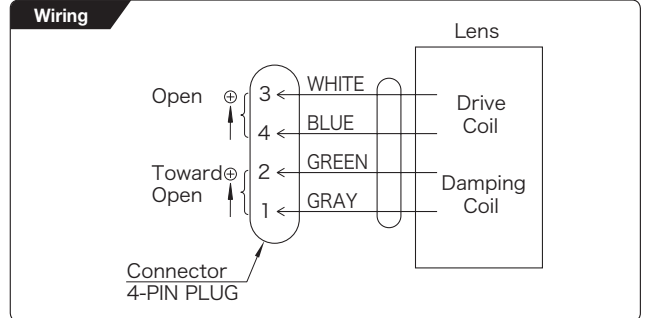
\* Photograph is a similar model.



Unit : mm

### DV10x8SR4A-SA1

|  |       |  |                 |
|--|-------|--|-----------------|
| Focal Length (mm)  |       | 8 - 80 (10x)   |                 |
| Iris Range   |       | F1.6 - T360(Equivalent to F360)  |                 |
| Operation  | Zoom  | Manual   |                 |
|  | Focus | Manual   |                 |
|  | Iris  | Auto (DC type)*1   |                 |
| Angle Of View (HxV)  | 1/2"  | WIDE   | 44°33' × 34°58' |
|  |       | TELE   | 4°42' × 3°32'   |
|  | 1/3"  | WIDE   | 34°58' × 26°35' |
|  |       | TELE   | 3°32' × 2°39'   |
|  | 1/4"  | WIDE   | 22°40' × 17°06' |
|  |       | TELE   | 2°22' × 1°47'   |
| Angle Of View (HxV)<br>Aspect Ratio 16 : 9                   | 1/2"  | WIDE   | 49°39' × 29°10' |
|  |       | TELE   | 5°07' × 2°53'   |
|  | 1/3"  | WIDE   | 38°16' × 22°05' |
|  |       | TELE   | 3°50' × 2°09'   |
|  | 1/4"  | WIDE   | 24°42' × 14°03' |
|  |       | TELE   | 2°35' × 1°27'   |
| Focusing Range (From Front Of The Lens) (m)                  |       | ∞ - 1.5  |                 |
| Object Dimensions at M.O.D. (HxV) (mm)                       | 1/2"  | WIDE   | 1285 × 964      |
|  |       | TELE   | 141 × 105       |
|  | 1/3"  | WIDE   | 964 × 723       |
|  |       | TELE   | 105 × 76        |
| Object Dimensions at M.O.D.(HxV) (mm)<br>Aspect Ratio 16 : 9 | 1/2"  | WIDE   | 1417 × 797      |
|  |       | TELE   | 153 × 86        |
|  | 1/3"  | WIDE   | 1063 × 598      |
|  |       | TELE   | 115 × 65        |
| 1/4"   | WIDE  | 670 × 377  |                 |
|  | TELE  | 77 × 43  |                 |
| Back Focal Distance (in air) (mm)                            |       | 18.19  |                 |
| Exit Pupil Position (From Image Plane) (mm)                  |       | 1705   |                 |
| Filter Thread (mm)   |       | -  |                 |
| Mount  |       | C  |                 |
| Mass (g)   |       | 180  |                 |
| Coil Resistance  |       | Drive Coil 190Ω<br>Damping Coil 1,150Ω   |                 |
| Current Consumption  |       | 23mA(Max.) at DC 4V  |                 |
| Remarks  |       | <ul style="list-style-type: none"> <li>•With Metal Mount</li> <li>(*1)When power is turned off, iris will automatically close.</li> </ul> DV10x8SR4A-SA1L : Long Cable Type(230mm) |                 |



### [Lens Image]



8mm



80mm