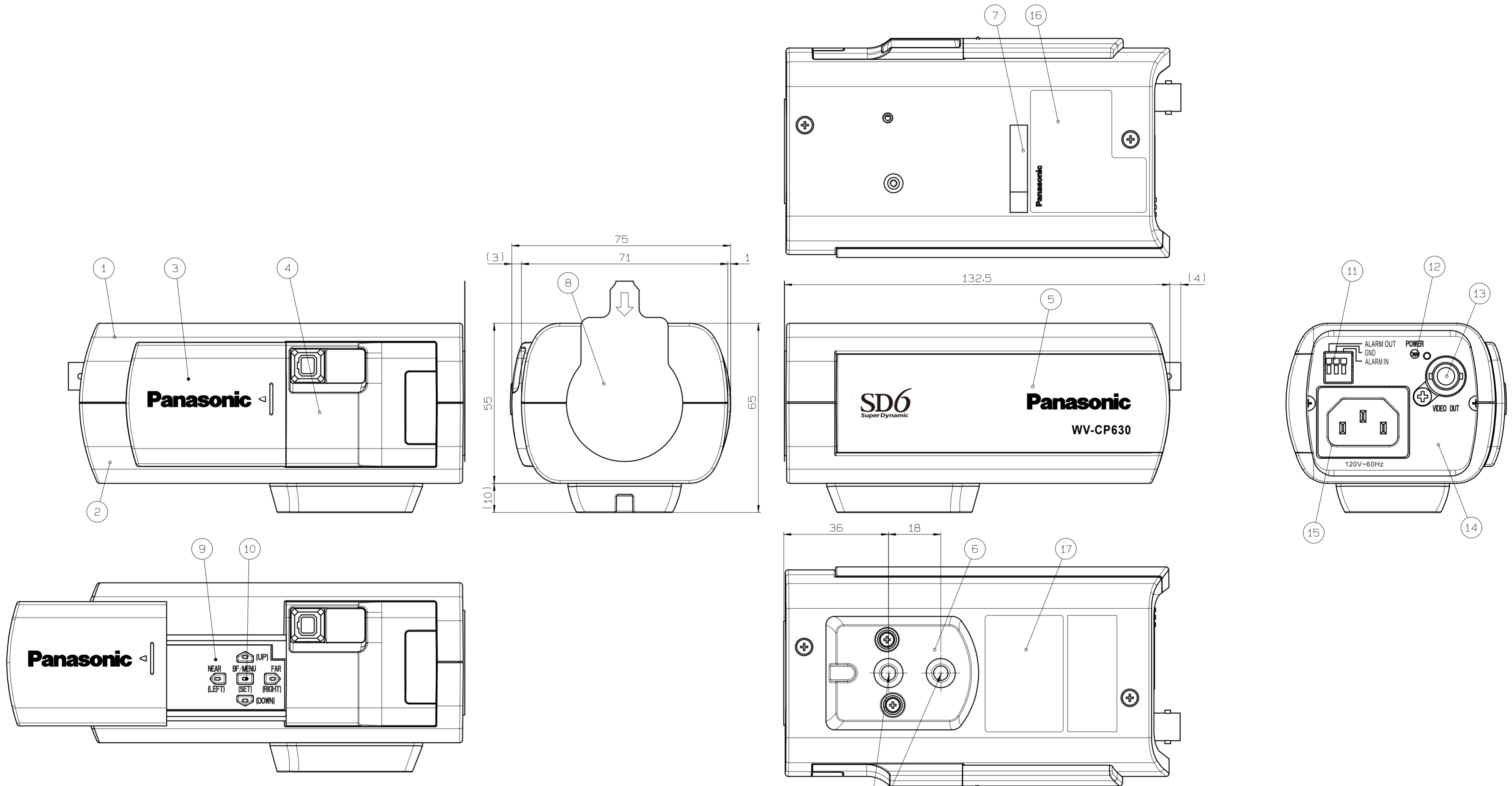
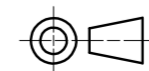


| Sym. | Item or Parts No. | Name                  | Qty | Material & Size | Treatment         | Remark |
|------|-------------------|-----------------------|-----|-----------------|-------------------|--------|
| 1    |                   | Upper Case            | 1   | ABS             | Painting (Silver) |        |
| 2    |                   | Bottom Case           | 1   | ABS             | Painting (Silver) |        |
| 3    |                   | Side Switchi Cover    | 1   | ABS             | Painting (Silver) |        |
| 4    |                   | Switchi Panel         | 1   | ABS             | Painting (Silver) |        |
| 5    |                   | Panel(Right Side)     | 1   | ABS             | Painting (Brown)  |        |
| 6    |                   | Mount Adapter         | 1   | ABS/PC          |                   |        |
| 7    |                   | Serial Number label   | 1   | Polyester Film  |                   |        |
| 8    |                   | Lenz Mount Label      | 1   |                 |                   |        |
| 9    |                   | Switchi Plate         | 1   |                 |                   |        |
| 10   |                   | Camera Set Up Switchi | 5   |                 |                   |        |
| 11   |                   | ALARM Terminal        | 1   |                 |                   |        |
| 12   |                   | POWER Indicator       | 1   |                 |                   |        |
| 13   |                   | VIDEO OUT Connector   | 1   |                 |                   |        |
| 14   |                   | Rear Panel            | 1   | Aluminum Plate  |                   |        |
| 15   |                   | AC Receptacle         | 1   |                 |                   |        |
| 16   |                   | Name Plate            | 1   | Polyester Film  |                   |        |
| 17   |                   | Caution Label         | 1   | Polyester Film  |                   |        |



2-1/4-20UNC for Tripod  
(Depth 10mm)

Unit:mm



**WV-CP630P**