

Panasonic

Safety Guide

Document Scanner

Table of Contents	
For Your Safety	2
WARNING	2
CAUTION	2
Other Important Information	4

- Please read this Safety Guide carefully before installing / using the unit.
- Please read the documents included in the box, and enclosed in the CD-ROM or DVD-ROM.
- Current model availability depends on your country/area. Please contact your dealer.
- Please confirm the nameplate attached to the unit. Some unit has the nameplate on the bottom of the unit.

For Your Safety

To prevent severe injury and loss of life, read this section carefully before using the unit to ensure proper and safe operation of your unit.

WARNING

Power and Ground Connection

- Do not use a power source that does not meet the power source specifications marked on the unit (or AC adapter). If you are not sure of the type of power supplied to your home/office, consult your dealer or local power company. Do not overload the AC outlets and extension cords. This can result in fire or electric shock.
- Do not use a damaged power cord, plug (and AC adapter). Use of damaged components can cause electric shock, a short, or fire. Contact your dealer for a replacement.
- If the power cord has three-pins, the power cord must be inserted into a standard three-prong AC outlet which is effectively grounded. If the power cord does not fit into your outlet, or if there is any doubt about the grounding of the AC outlet, contact a licensed electrician. Do not defeat the grounding (for example, by using a conversion plug).
- Plug the power cord firmly into the AC outlet (and AC adapter). If the plug is damaged or the outlet is loose, they must not be used.
- Do not do anything that might damage the power cord, plug (and AC adapter). Damage to the power cord, plug (and AC adapter) can cause fire or electric shock. If the power cord ,plug (and AC adapter) is damaged or frayed, contact your dealer for a replacement.
- When disconnecting the unit, grasp the plug instead of the cord. Pulling on a cord forcibly can damage it, and cause fire or electric shock.
- Do not splash water on the unit or the power cord (and AC adapter), nor get them wet. Doing so can result in fire, electric shock, or injury. If they do get wet, immediately disconnect the power cord, and contact your dealer.
- Ensure that the power plug connection is free of dust. Dust may damage the insulation and cause fire. Regularly unplug the power cord from AC outlet and clean it with dry cloth.
- Never touch the plug with wet hands. Danger of electric shock exists.
- Stop operation immediately if the unit emits smoke, excessive heat, abnormal smell, or unusual noise. These conditions can cause fire or electric shock. Immediately turn the unit off, and unplug the power cord, and contact your dealer for service. When you operate this product, the power outlet should be near the product and easily accessible.

Operating Safeguards

- If foreign objects (metal, flammable objects, water or other liquids) get into the unit, turn the unit off, and unplug the unit immediately. Contact your dealer for service. Operating the contaminated unit can cause fire or electric shock.
- Do not open covers, and do not attempt to disassemble or alter the unit. High voltage can cause fire or electric shocks. Contact your dealer for service.
- During thunderstorms, do not touch the unit and plug. It may cause an electric shock.
- Do not use flammable aerosol cleaners to clean the unit.
- Do not place the small parts where small children can reach them. There is a danger that the rollers may be swallowed. In the event that you think they have been swallowed, contact a doctor immediately.

Roller Cleaning Paper

- Do not use the roller cleaning paper near a heater or open flame. The roller cleaning paper includes ignitable isopropyl alcohol.

CAUTION

Power

- The unit should be used only with the power cord (and AC adapter) provided with the unit. The provided power cord (and AC adapter) is for use with this unit only. Do not use the power cord (and AC adapter) for other devices.
- When the unit is not used for an extended period of time, turn the unit off, and unplug the power cord from the AC outlet.

Installation and Relocation

- Do not place the unit in a location where it is unstable or subjected to heavy vibration.
- Do not use the unit when a tray is hanging off the edge of a surface.
- When carrying the unit, do not use the trays as handles.
- When moving the unit, be sure to unplug the power cord from the AC outlet. If the unit is moved with the power cord attached, it can cause damage to the cord which could result in fire or electric shock.
- To prevent fire or shock hazard, do not expose this unit to rain or any type of moisture.
- Do not place the unit in a humid, steamy, oily or dusty place.
- Do not block the air vents. Doing so can cause heat to build up, and may result in fire.
- Dropping the unit may cause injury. Be careful when moving the unit. If the unit is heavy, move the unit with two persons. Do not hold the trays or guides to move the unit.

Operating Safeguards

- If the unit falls down or gets damaged, turn the unit off, and unplug the power cord. Otherwise, it may cause fire or electric shock.
- Do not place heavy items on the unit. Serious damage and/or injury may result if it falls.
- Do not place any liquid containers on/above the unit. Accidental spillage of liquid into the unit may cause severe damage.
- Be careful not to pinch your fingers when closing the ADF door. It can cause injury.
- Be careful not touch to the hot surface. The conveyor and the scanning glass may be hot after continuous scanning.

Roller Cleaning Paper

- Do not drink or inhale the roller cleaning paper fluid including isopropyl alcohol.
- The roller cleaning paper may be harmful to sensitive skin. Please use protective gloves.

Imprinter and ink cartridge (Option)

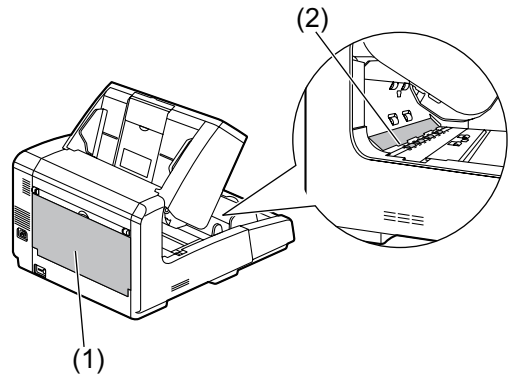
- Do not disassemble the imprinter unit and ink cartridge. If the ink comes in contact with your eyes, rinse the area completely with fresh water. If irritation or pain remains after rinsing, consult with an ophthalmologist immediately.
- Keep the ink cartridge out of children's reach. If a child accidentally licks the ink, make him/her bring it up immediately and consult your doctor
- Do not dispose the ink cartridge in fire.

Unit that has lonizer

- Make sure that the unit is installed in a well ventilated room so as not to increase density of ozone in the air. Since ozone is heavier than air, it is recommended that air at floor level be ventilated.

KV-S4085C, KV-S4065C

- When cleaning inside of the scanner, make sure to close the straight path tray (1). If the straight path tray is open, touching the notched section (2) can cause injury.



KV-S7097, KV-S7077, KV-S7075C

- Do not place printed materials containing magnetic ink characters or magnetic strip cards on the flatbed. Magnets are located in the flatbed cover (flatbed sheet) and may damage data stored on printed materials and cards.

Other Important Information

Disposal of Old Equipment Only for European Union and countries with recycling systems



This symbol on the products, packaging, and/or accompanying documents means that used electrical and electronic products must not be mixed with general household waste.

For proper treatment, recovery and recycling of old products, please take them to applicable collection points in accordance with your national legislation. By disposing of them correctly, you will help to save valuable resources and prevent any potential negative effects on human health and the environment. For more information about collection and recycling, please contact your local municipality. Penalties may be applicable for incorrect disposal of this waste, in accordance with national legislation.

Information on Disposal in other Countries outside the European Union



This symbol is only valid in the European Union. If you wish to discard this product, please contact your local authorities or dealer and ask for the correct method of disposal.

Important safety instructions

When using your product, basic safety precautions should always be followed to reduce the risk of fire, electric shock and injury to persons, including the following:

1. Do not use this product near water for example, near a bathtub, washbowl, kitchen sink or laundry tub, in a wet basement or near a swimming pool.
2. Use only the power cord indicated in this manual.

SAVE THESE INSTRUCTIONS

International ENERGY STAR Program (For United States, Canada, and EU only)



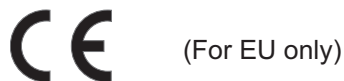
As an ENERGY STAR® Partner, Panasonic has determined that this product meets the ENERGY STAR guidelines for energy efficiency.

Explanation of graphical symbol on the nameplate

~ : Alternating current

== : Direct current*1

*1 AC adapter model and Imprinter only



Panasonic Corporation
Web site: <http://www.panasonic.com>