

Information to Recycler

Producer:	Panasonic	date issued: month/year 4 / 2019
Product category/ type of equipment (Annex IA and IB of WEEE Directive):	IA:IT and telecommunications equipment	
	IB:Scanner	
Name of equipment:	Document Scanner	
Valid for models:	KV-SL1066, KV-SL1056	

Component/ Material Information

<Existence>

	Component or Material	Marks & Location Write "Exist" if included	Remarks
1	Backlighting lamps of LCD/TFT or similar screens containing Mercury (Hg)	no	
2	Cadmium (*1)	no	
3	Gas discharge lamps	no	
4	Plastic containing brominated flame retardants other than in Printed Circuit Assemblies	Exist Location: See attached references/ AC INLET COVER Sensor PCB Holder Lower Chassis CIS COVER B DFP ROLLER COVER	PNKV1272 PNUF1061 PNUA1083 PNUV1066 PNUV1068
5	Liquid Crystal Displays with a surface greater than 100 cm ²	no	
6	Asbestos	no	
7	Refractory ceramic fibres	no	
8	Radio-active substances	no	
9	Other forms of Beryllium	no	
10	printed circuit boards greater than 10 square centimetres	Exist Location: See attached references/ Panel 7 seg Board STARTING SENSOR Board CONTROL Board for KV-SL1066 CONTROL Board for KV-SL1056 Power Supply CIS (F) for KV-SL1066 CIS (F) for KV-SL1056	PNWPS1661 PNWPS1578 PNWPSL1066 PNWPSL1056 PNWPS1572 N2GBYY000003 N2GBYY000005
11	printed circuit boards less than 10 square centimetres and contain plastics with BFRs	Exist Location: See attached references/ ULTRASONIC SENSOR (G) Board	PNWPS1575M1
12	The external electric cable	Exist Location: See attached references/ AC Cord AC Cord USB Cable	K2CM3YY00053 K2CT3YY00094 K1HY09YY0021

<Location>

		Information of location if included	Remarks
1	Battery (internal) containing Mercury (Hg)/ NiCd/Lithium/ Other	no	
2	Mercury (Hg) in other applications (*1)	no	
3	Capacitors with PCB's	no	
4	Capacitors with substances of concern + height > 25mm, diameter > 25 mm or proportionately similar volume	no	
5	Beryllium Oxide	no	

<Location & Information>

		Information if included	Remarks
1	Gasses – which fall under Regulation (EC) 2037/2000 and all hydrocarbons (HC).	location type of gas properties volume and/or weight	no
2	Components with pressurised gas which need special attention [Pressure > 1,5 bar]	location type of gas pressure level discharge method	no
3	Liquids if volume > 10 cl (or equivalence in weight, e.g. for PCB, oil...)	location type of liquid discharge method	no
4	Mechanical components that store mechanical energy (i.e. springs) or equivalent parts which need special attention [diameter > 10 mm and height > 25 mm or proportionally similar volume and expanding]	location	no

(*1)Substances are considered to be in the product if present above the levels specified in Commission Decision 2005/618/EC related to Directive 2002/95/(EC) (RoHS Directive) or if their use is permitted through exemptions in the Annex of Directive 2002/95/(EC)

End-of-Life Characterization Report

Producer:	Panasonic	date issued: month/year 4 / 2019
Product category/ type of equipment (Annex IA and IB of WEEE Directive):	IA:IT and telecommunications equipment	
Name of equipment:	Document Scanner	
Valid for models:	KV-SL1066, KV-SL1056	

Component/ Material Information

<Existence>

	Component or Material	Marks & Location Write "Exist" if included	Remarks	Quantity	Tools Needed for Disassembly	Disassembly Instructions
1	Backlighting lamps of LCD/TFT or similar screens containing Mercury (Hg)	no		0	NA	NA
2	Cadmium (*1)	no		0	NA	NA
3	Gas discharge lamps	no		0	NA	NA
4	Plastic containing brominated flame retardants other than in Printed Circuit Assemblies	Exist Location: See attached references/ AC INLET COVER Sensor PCB Holder Lower Chassis CIS COVER B DFP ROLLER COVER	PNKV1272 PNUF1061 PNUA1083 PNUV1066 PNUV1068	5	Screw driver Nipper Needle-nose plier Blow-dryer	See attached references.
5	Liquid Crystal Displays with a surface greater than 100 cm2	no		0	NA	NA
6	Asbestos	no		0	NA	NA
7	Refractory ceramic fibres	no		0	NA	NA
8	Radio-active substances	no		0	NA	NA
9	Other forms of Beryllium	no		0	NA	NA
10	printed circuit boards greater than 10 square centimetres	Exist Location: See attached references/ Panel 7 seg Board STARTING SENSOR Board CONTROL Board for KV-SL1066 CONTROL Board for KV-SL1056 Power Supply CIS (F) for KV-SL1066 CIS (F) for KV-SL1056	PNWPS1661 PNWPS1578 PNWPSL1066 PNWPSL1056 PNWPS1572 N2GBYY000003 N2GBYY000005	7	Screw driver Nipper Needle-nose plier Blow-dryer	See attached references.
11	printed circuit boards less than 10 square centimetres and contain plastics with BFRs	Exist Location: See attached references/ ULTRASONIC SENSOR (G) Board	PNWPS1575M1	1		
12	The external electric cable	Exist Location: See attached references/ AC Cord AC Cord USB Cable	K2CM3YY00053 K2CT3YY00094 K1HY09YY0021	3		

<Location>

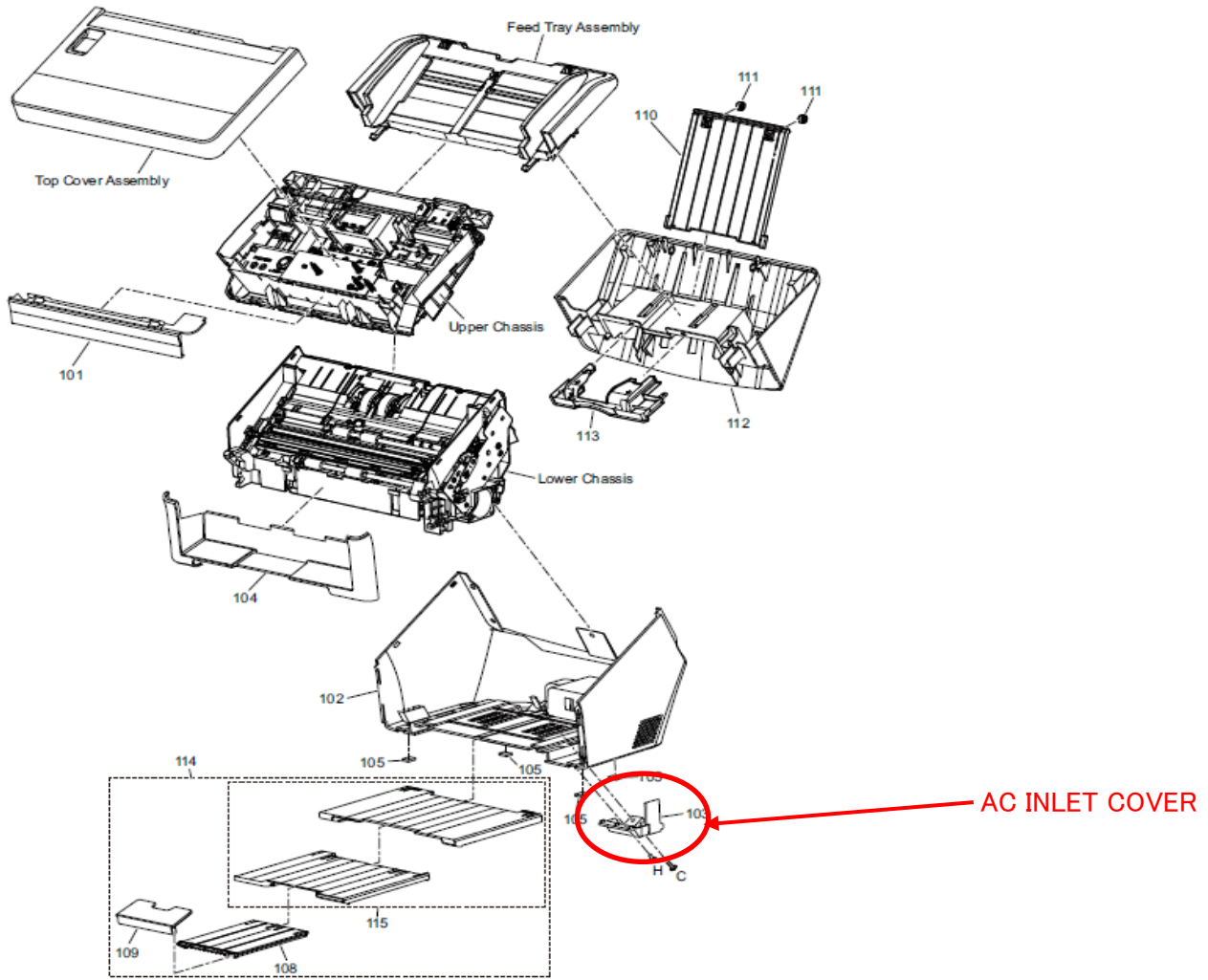
	Information of location if included	Remarks	Quantity	Tools Needed for Disassembly	Disassembly Instructions
1	Battery (internal) containing Mercury (Hg)/ NiCd/Lithium/ Other	no	0	NA	NA
2	Mercury (Hg) in other applications (*1)	no	0	NA	NA
3	Capacitors with PCB's	no	0	NA	NA
4	Capacitors with substances of concern + height > 25mm, diameter > 25 mm or proportionately similar volume	no	0	NA	NA
5	Beryllium Oxide	no	0	NA	NA

<Location & Information>

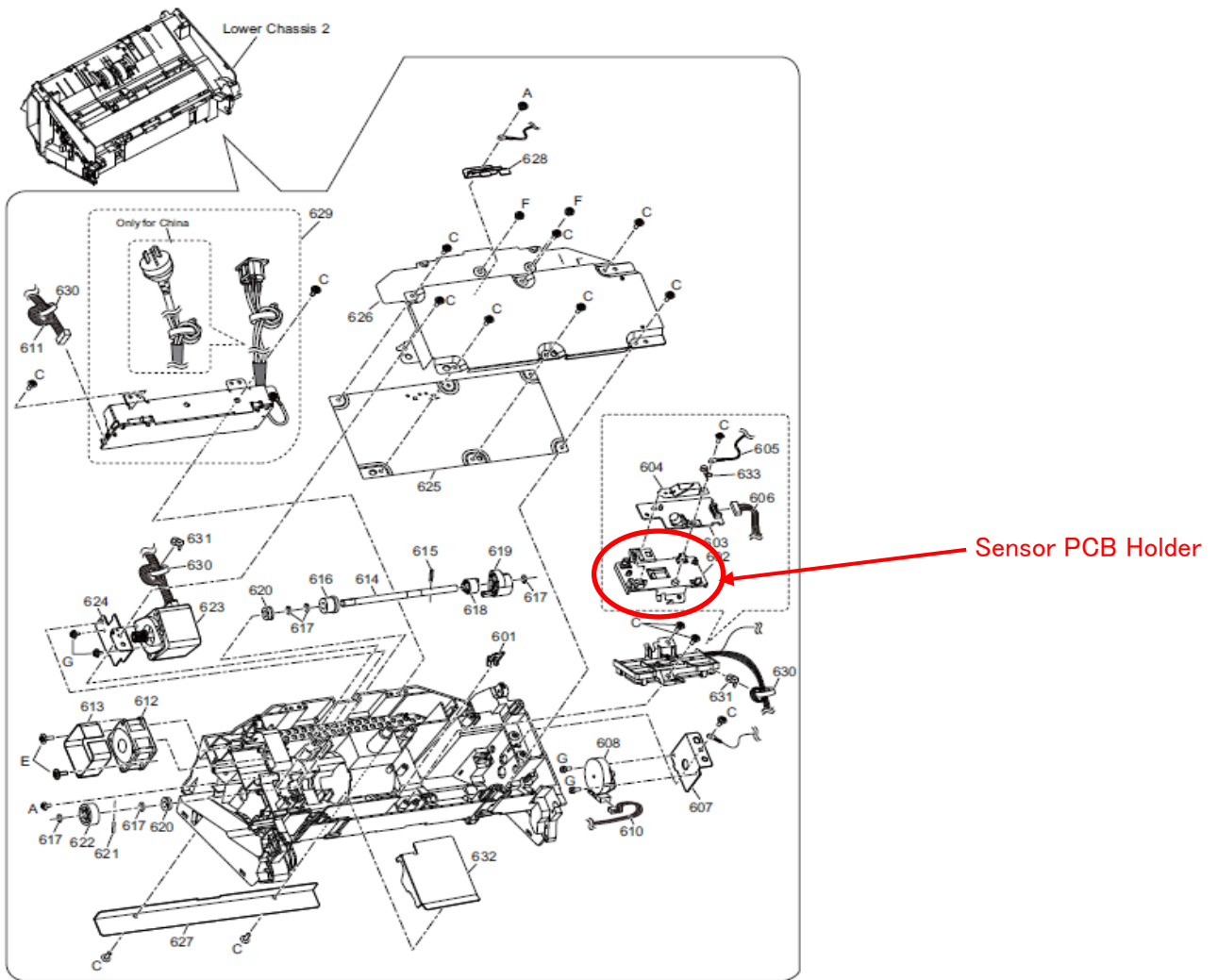
	Information if included	Remarks	Quantity	Tools Needed for Disassembly	Disassembly Instructions
1	Gasses – which fall under Regulation (EC) 2037/2000 and all hydrocarbons (HC). location _____ type of gas _____ properties _____ volume and/or weight _____	no	0	NA	NA
2	Components with pressurised gas which need special attention [Pressure > 1,5 bar] location _____ type of gas _____ pressure level _____ discharge method _____	no	0	NA	NA
3	Liquids if volume > 10 cl (or equivalence in weight, e.g. for PCB, oil...) location _____ type of liquid _____ discharge method _____	no	0	NA	NA
4	Mechanical components that store mechanical energy (i.e. springs) or equivalent parts which need special attention [diameter > 10 mm and height > 25 mm or proportionately similar volume and expanding] location _____	no	0	NA	NA

(*1)Substances are considered to be in the product if present above the levels specified in Commission Decision 2005/618/EC related to Directive 2002/95/(EC) (RoHS Directive) or if their use is permitted through exemptions in the Annex of Directive 2002/95/(EC)

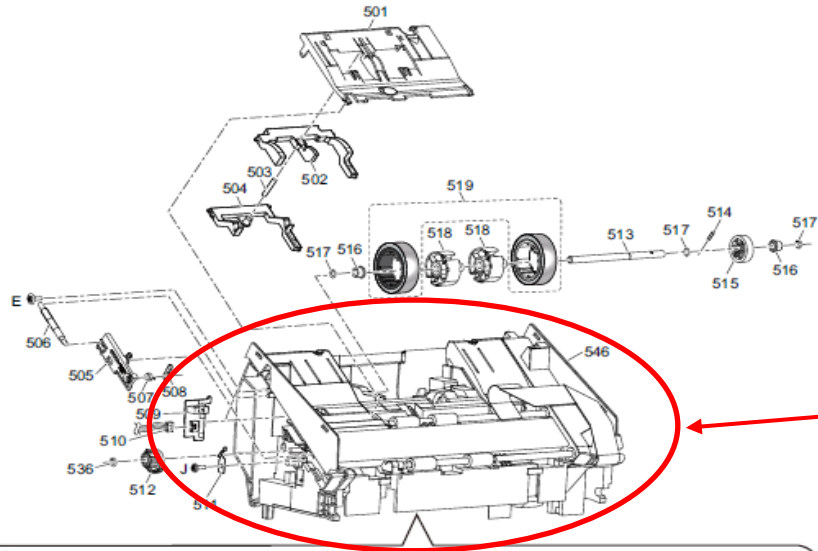
15.1. Exterior



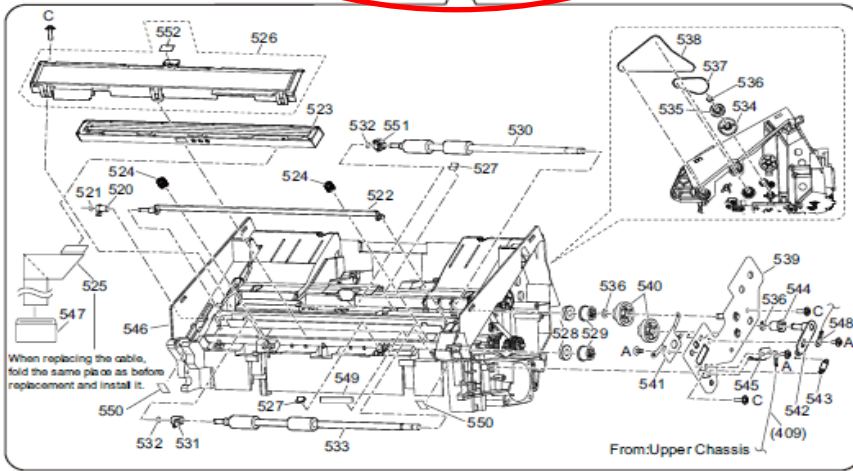
15.6. Lower Chassis 2



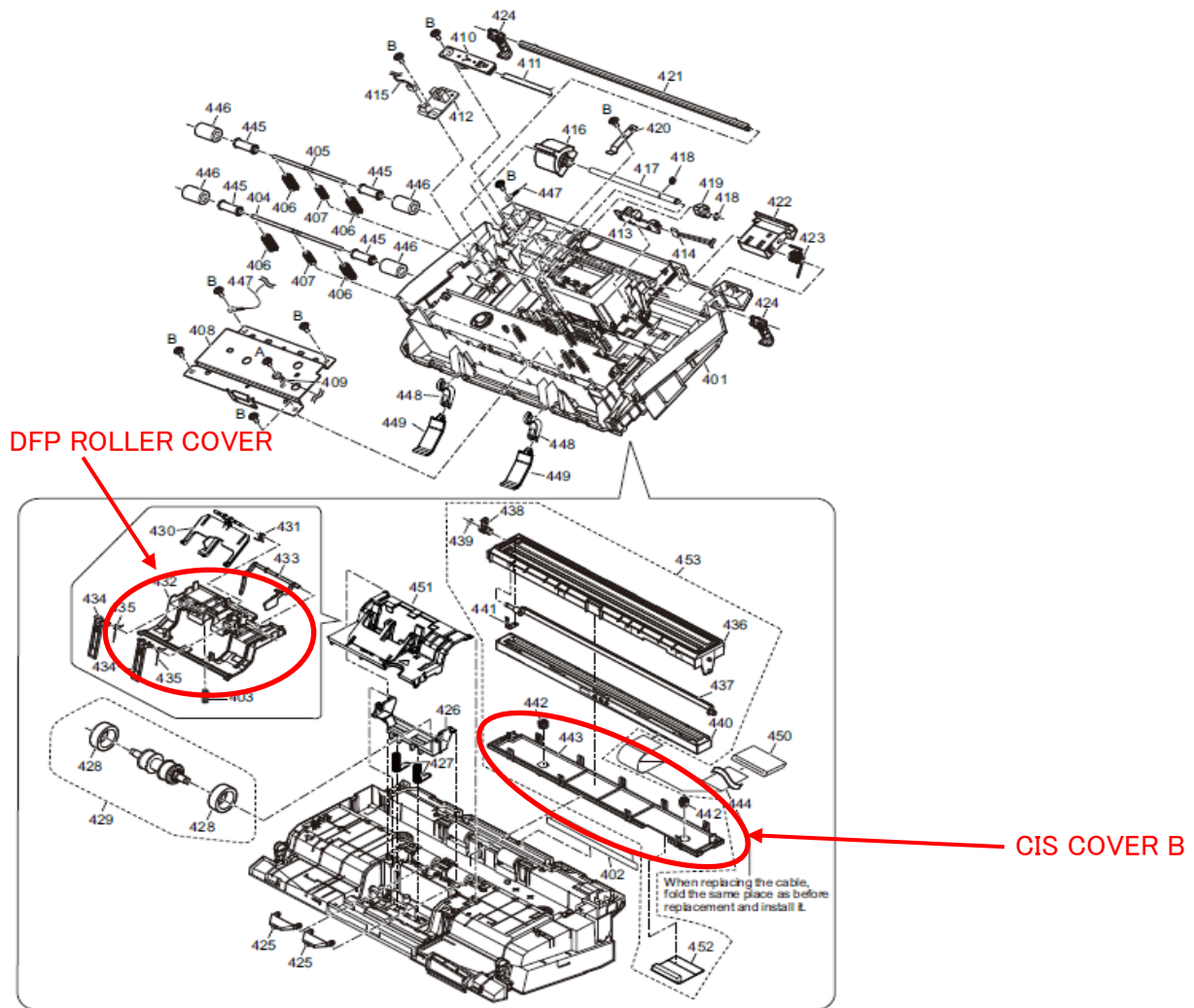
15.5. Lower Chassis 1



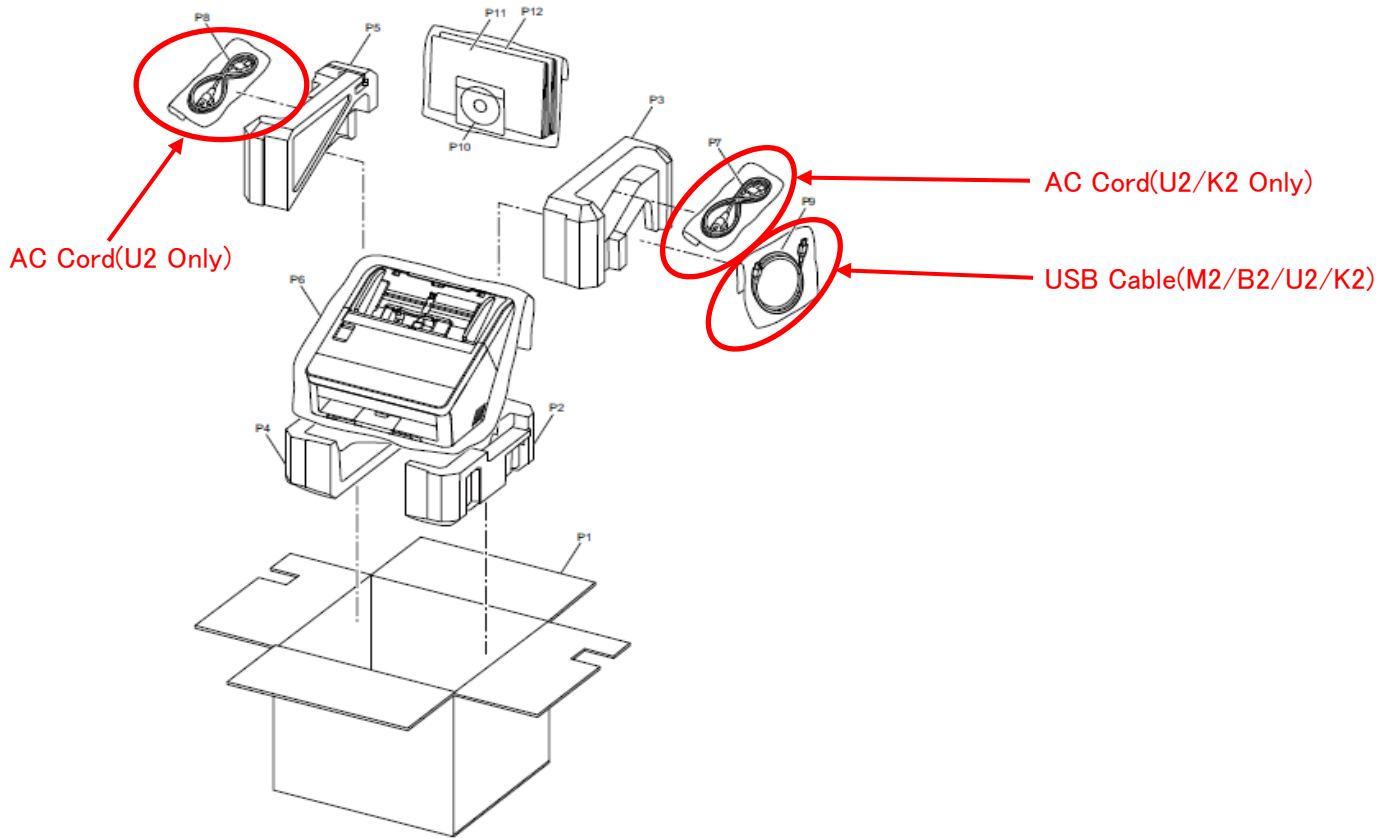
Lower Chassis



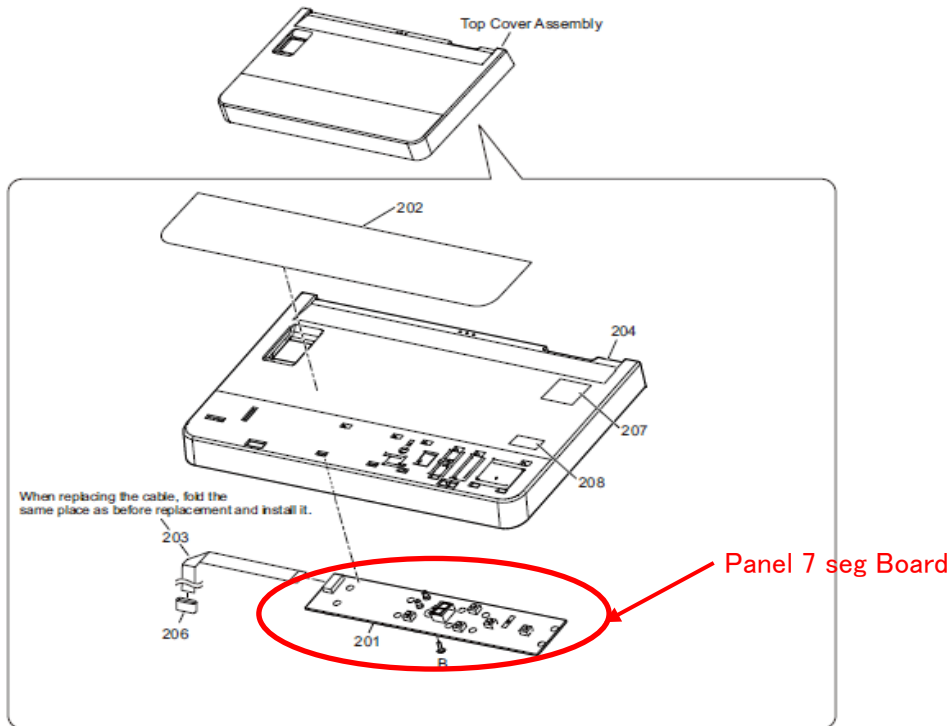
15.4. Upper Chassis



15.7. Packing

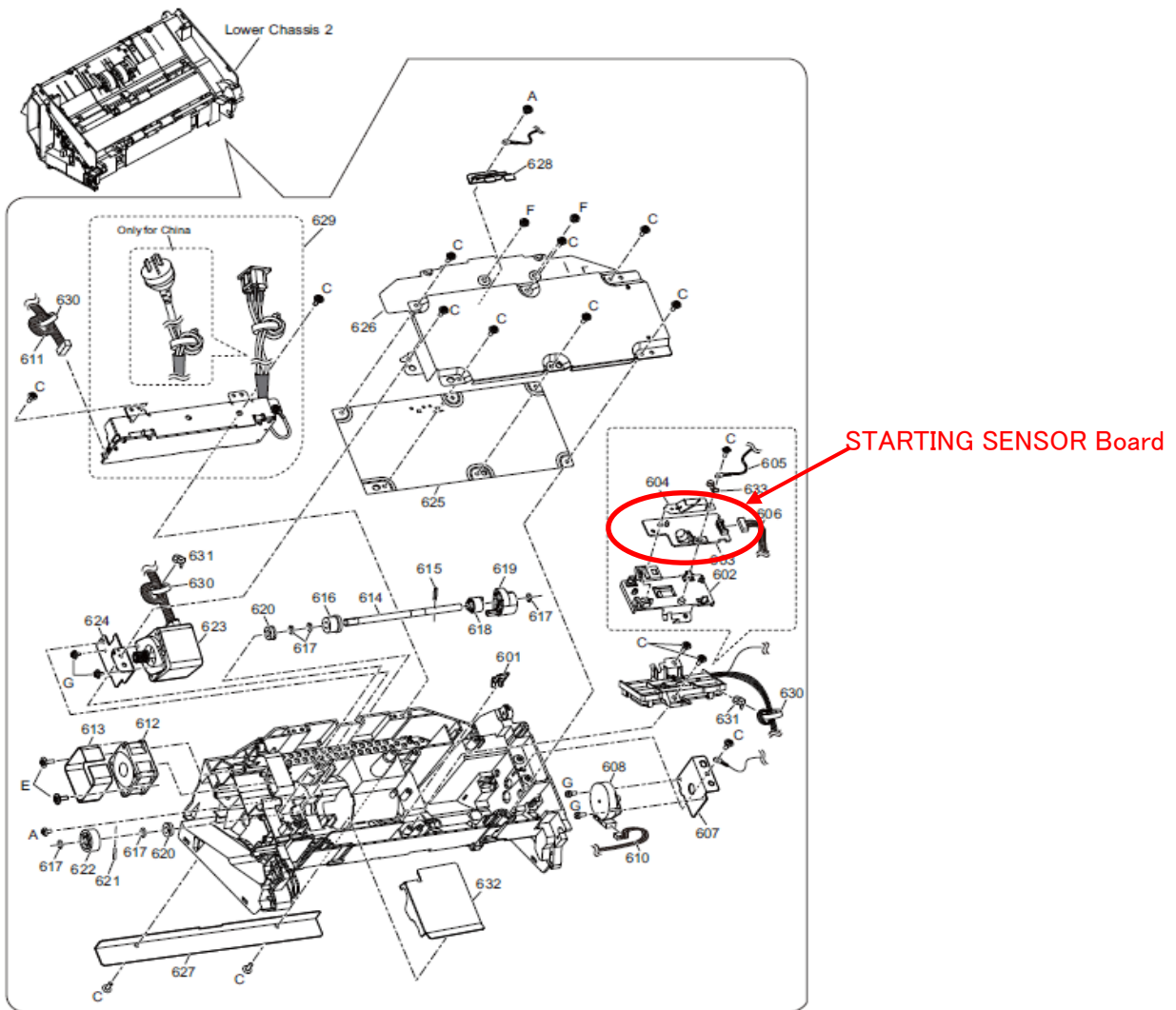


15.2. Top Cover Assembly



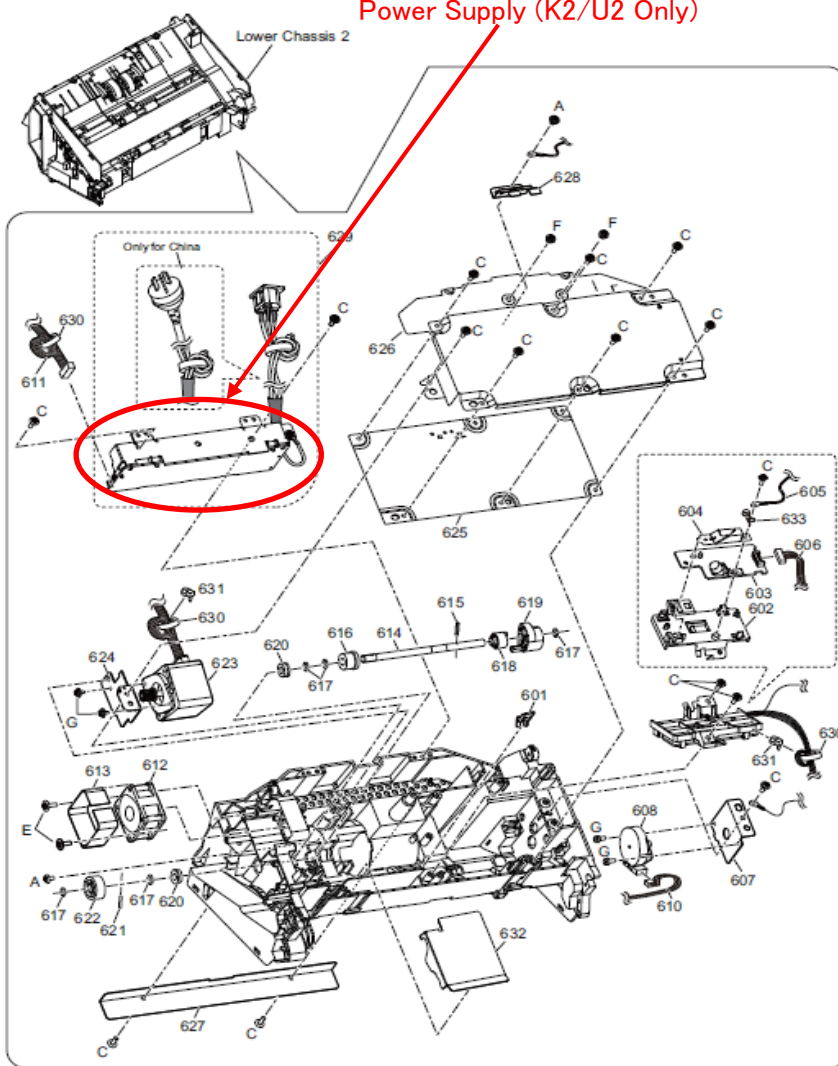
Safety	Ref. No.	Part No.	Part Name & Description	Remarks
	201	P8MPS1551M	PANEL Board	(RTL) P&P
	202	P8MK1046W	Panel Sheet for KV-SL1056	
	202	P8MK1052W	Panel Sheet for KV-SL1056	
	202	P8MK1055W	Panel Sheet for KV-SL1055	
	202	P8MK1053W	Panel Sheet for KV-SL1036	
	202	P8MK1054W	Panel Sheet for KV-SL1035	
	203	P8NVE1216Z	Panel FFC	
	204	P8KVI274Y1	Top Cover	PS
	206	J0KED00000167	Filter	
	207	P8QGT3641Z	Card Guide Storage Label(M2 Only)	
	208	P8QGT3671Z	M2 Label (M2/U2/S2/K2)	
	B	K1W3+8P2J8	Screw	

15.6. Lower Chassis 2

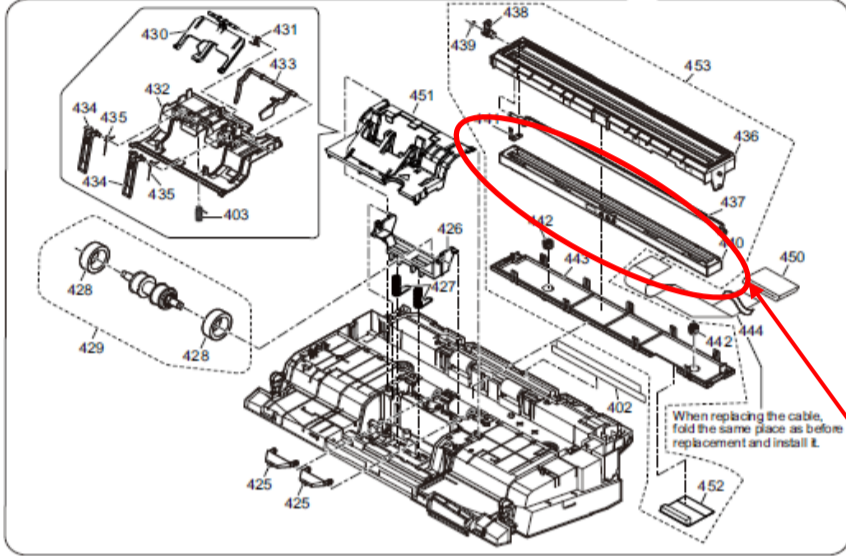
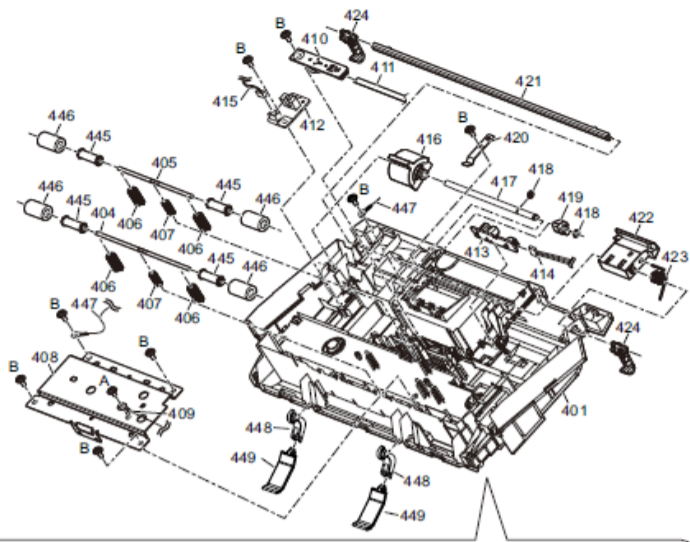


15.6. Lower Chassis 2

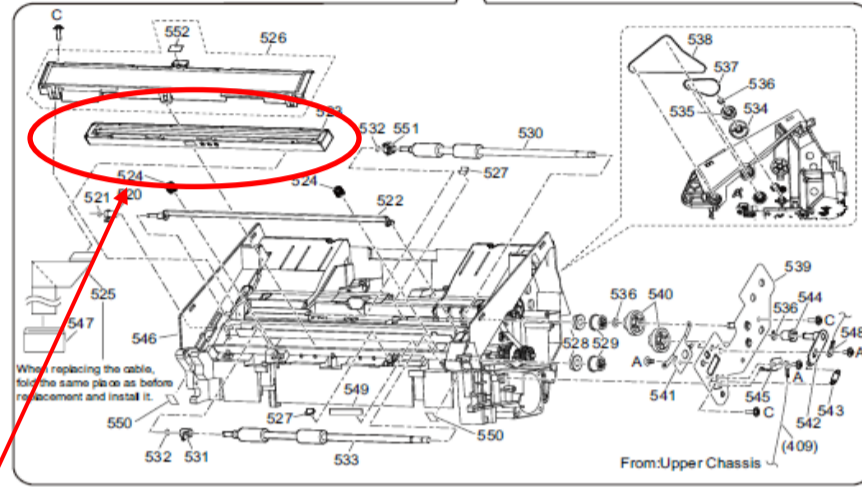
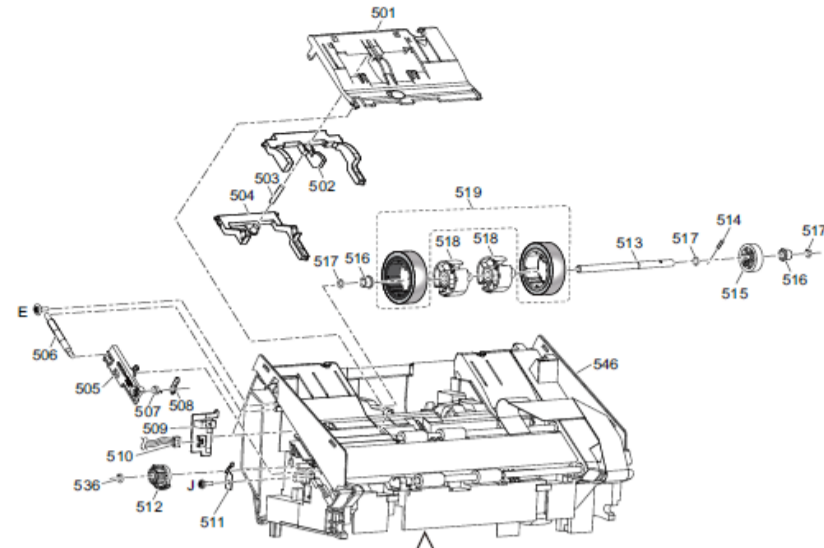
Power Supply (K2/U2 Only)



15.4. Upper Chassis

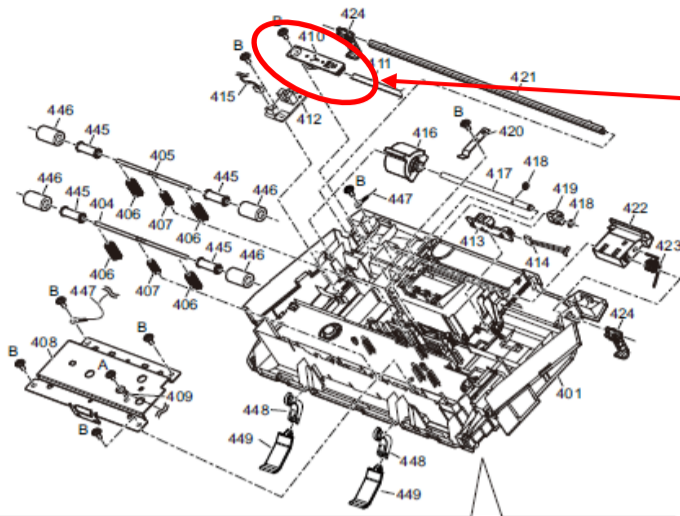


15.5. Lower Chassis 1



CIS (F) for KV-SL1066
 CIS (F) for KV-SL1056/1055/136/1035

15.4. Upper Chassis



ULTRASONIC SENSOR (G) Board

